



Established in 1975
Hydraulic Components

World Class Manufacturers
Power Transmission Products

<p>Black Bruin No power like it. Wheel & Hollow Shaft Motors</p>	<p>O&K Antriebstechnik Bonfiglioli Forever Forward Planetary & Track Drives</p>	<p>Indexator Rotators & Swivels</p>
<p>STIEBEL GETRIEBE Pump Drives</p>	<p>Linde High Pressure Pumps & Motors</p>	<p>dinamic oil Planetary Drives H.T. HANSA · TMP Piston Pumps & Motors</p>
<p>ROTARY POWER Hydraulic Motors</p>	<p>DANA brevini Fluid Power Systems Bent Axis Piston Motors Fixed & Variable Joysticks Controls</p>	<p>hydro control Valves, Joysticks HUSCO INTERNATIONAL Valves Donaldson FILTRATION SOLUTIONS Filtration</p>
<p>Thermal Transfer Products An AIR Heat Transfer Company Heat Exchangers NACHI Planetary Drive With Integral Motor</p>	<p>Italgroup Radial Piston Motors HYDRO LEDUC Motors & Pumps</p>	<p>HEAVY MOTIONS Gear Pumps & Motors HETRONIC Wireless Remote DOWNMAX Axial Piston Motor EATON Authorized Distributor</p>

2019 Q3 Solutions Magazine

Compact Power Dense Solutions

Motors · Pumps · Gearboxes · Valves · Controls · Power Units

North American Hydraulics, (NAHI, LLC), partnering with Black Bruin, LTD; the Power on Demand Specialists, offering Radial Piston Wheel and Shaft Motors designed for Mobile and Industrial Applications.

Features and Benefits:

- Compact Design with a Rotating Housing and Shafts
- Superior Starting Torque for Low-Speed Applications
- Ability to Mechanically Freewheel at Highway Speeds
- Multiple Brake Options

Proven Solutions for the Following Drives:

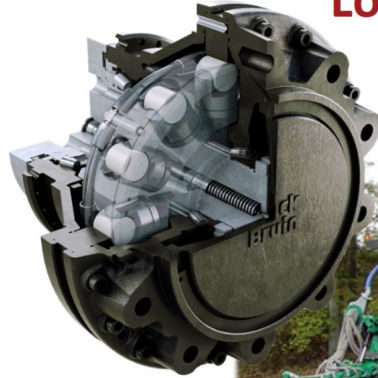
- Power on Demand
- Assist
- Primary
- Winch
- Conveyor
- Reel
- Feed Roller



Please contact NAHI for additional information.

The above information should be used as a guide and is subject to change without notice.

Please contact NAHI for proper selection.



Low Speed High Torque Motors Solution Providers



B200 Series – On-Demand Wheel Motors

Model	Displacement (in ³)	Max Working PSI	Peak PSI	HP	Max Speed RPM
B240	38.4/48.8	4300	5000	47	240/185
B250	61.0/76.3/97.6			67	200/160/125
B260	122.0/152.5/192.2	5800	6500	120	125/140/110
B270	244.1/305.1/384.4			175	125/100/80

BB Series – Wheel Motors

Model	Displacement (in ³) Model	Max Working PSI	Peak PSI	HP	Max Speed RPM
BB-3	403-040-2110, 403-040-2140	4300	5000	33.5	250
BB-4	30.5/38.4/48.8			47	300/240/185
BB-5	61.0/76.3/97.6			67	200/160/125
BB-6	122.0/152.6/192.2	5800	6500	120	175/140/110
BB-7	244.1/305.1/384.4			175	125/100/80

BBC Series – Wheel Motors

Model	Displacement (in ³) Model	Max Working PSI	Peak PSI	HP	Max Speed RPM
BBC01	C16-100-0010	5800	6525	42.9	180
BBC02	43.0/47.8/52.6/57.3/62.1			56.3	223/201/182/167/154
BBC03	55.4/61.6/67.8/73.9/80.1			67.1	206/186/169/155/143
BBC05	95.9/106.6/117.3/127.9/138.6			96.6	172/155/141/129/119
BBC06	C65-261-1302			122	107
BBC07	C72-1A1-3004			167	110

S Series – Shaft Motors

Model	Displacement (in ³)	Max Working PSI	Peak PSI	HP	Max Speed RPM
S-1000	268.5/384.4	5800	6525	235	180
S-2000	537.0/610.2/768.9/915.4			469/348	140/110/90/75
S-3000	906.2/1153.3/1373.0			670/523	75/60/50



Black Bruin

No power like it.



NORTH AMERICAN HYDRAULICS

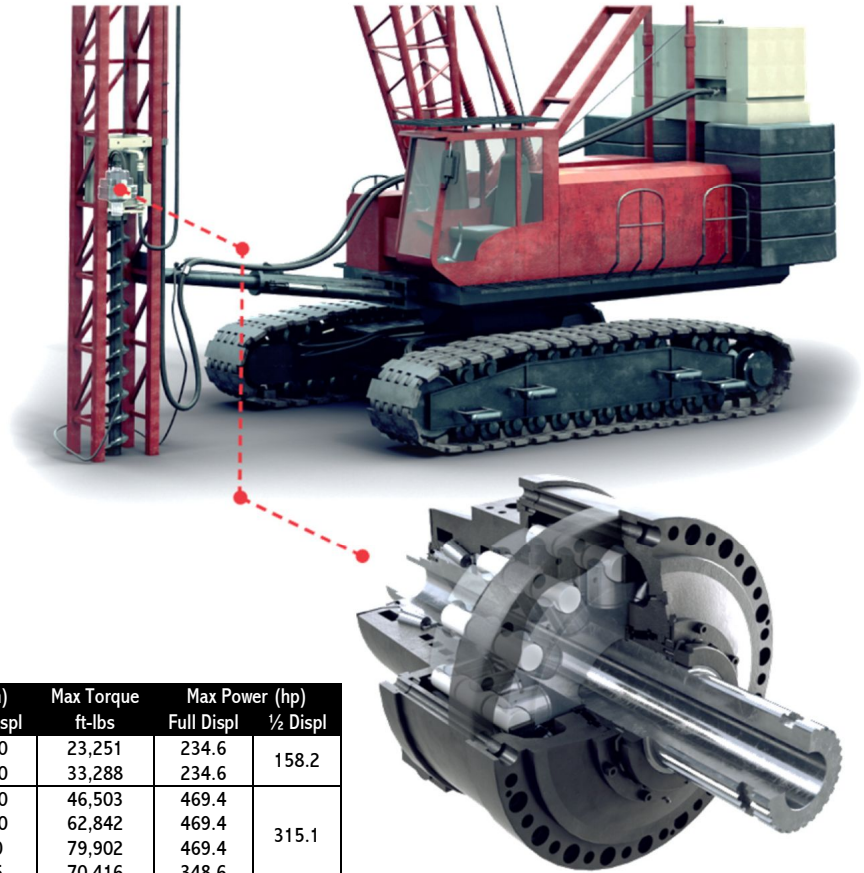


Solution Providers

BLACK BRUIN HYDRAULIC MOTORS

Black Bruin S Series

CONTINUOUS HIGH POWER



S-Series	Displacement in ³	Max Pressure psi	Max Speed (rpm)		Max Torque ft-lbs	Max Power (hp)	
			Full Displ	½ Displ		Full Displ	½ Displ
S-1000	268.5	6500	180	180	23,251	234.6	158.2
	384.4	6500	180	180	33,288	234.6	
S-2000	537.0	6500	130	130	46,503	469.4	315.1
	610.2	6500	110	110	62,842	469.4	
	768.9	6500	90	90	79,902	469.4	
	915.4	5800	75	75	70,416	348.6	
S-3000	906.2	6500	75	75	79,273	670.5	449.2
	1153.3	6500	60	60	99,873	670.5	
	1373.0	5800	50	50	105,618	523.0	

- Multi-speed function shift on the fly capabilities
- Axial and Radial load carrying capacity
- Ideal for Auger/Crusher/Conveyor Applications



North American Hydraulics, (NAHI, LLC), partnering with Black Bruin, LTD; offering Power On-Demand Drive Systems designed for Mobile Applications

Features and Benefits:

- Safe and Reliable – Automated functions and self-diagnostics ensure the correct operation of the system. System also includes protection against connection failures.
- Smooth Drive Control – Functions for various operating situations: Driving direction selection, tractive power adjustment, speed range control, freewheeling and assisting traction control (ATC).

Proven Solutions for:

- Earth-moving
- Agriculture
- Forestry
- Tractive power in harsh conditions and varying terrain
- Transmission solution for tractor-driven trailers and working equipment

Please contact NAHI for proper selection.

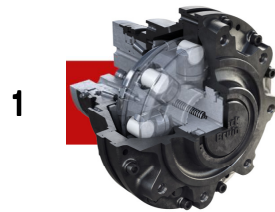


On-Demand Drive System Solution Providers



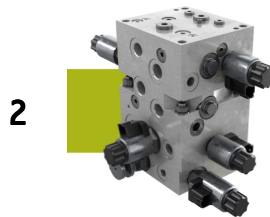
ATC

Assisting traction control function



Hydraulic motor

Black Bruin wheel motor puts its tractive power just where it is most needed – under the load!



Valve

The hydraulic valve includes all necessary functions for drive control. Valves are available for 2WD and 4WD configurations.



Control device

The control device contains the software for controlling the valve. It also includes automated functions.



Display

The user controls the system functions and gains information on its operation via the display unit.



NORTH AMERICAN HYDRAULICS

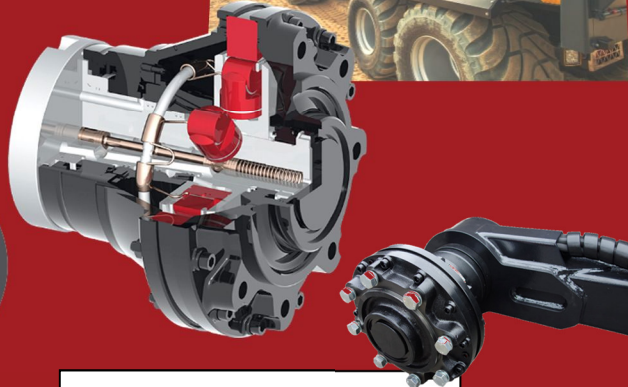
Solution Providers

BLACK BRUIN HYDRAULIC MOTORS

ON-DEMAND WHEEL DRIVES



- More Tractive Effort
- Easy to Freewheel
- Reduced Ground Damage
- Less Tractor Power Needed With Improved Efficiency
- Low Cost of Maintenance With Fewer Components
- Available With Strong Certified Brakes



HIGH TORQUE
WHERE IT IS NEEDED

B240



B250



B260



B270



Drum and Disc Brakes



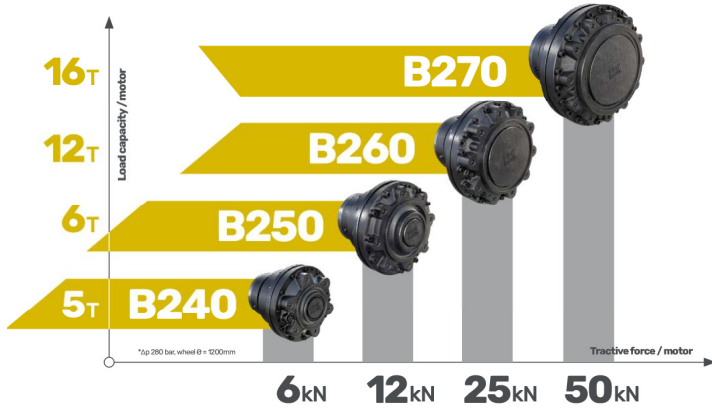
Black Bruin
No power like it.

NAHI, LLC – CUSTOMER SERVICE • 225-751-0500 • www.nahi.com



NORTH AMERICAN HYDRAULICS

Technical Details - Motors



Motor Model Code - Freewheeling Hub Motors					
B200 Series Model Code AAAA-BBBB-CCCC / D					
A: Frame	AAAA-BBBB-CCCC/D	B240	B250	B260	B270
B200 series frames	B240	•			
	B250		•		
	B260			•	
	B270				•
B: Displacement	AAAA-BBBB-CCCC/D	B240	B250	B260	B270
B240 displacements	0063 : 630 ccm/rev	•			
	0080 : 800 ccm/rev	•			
B250 displacements	0100 : 1000 ccm/rev		•		
	0125 : 1250 ccm/rev		•		
	0160 : 1600 ccm/rev		•		
B260 displacements	0200 : 2000 ccm/rev			•	
	0250 : 2500 ccm/rev			•	
B270 displacements	0315 : 3150 ccm/rev			•	
	0400 : 4000 ccm/rev				•
	0500 : 5000 ccm/rev				•
	0630 : 6300 ccm/rev				•
C: Displacement Control	AAAA-BBBB-CCCC/D	B240	B250	B260	B270
1-speed	1N00 : Fixed displacement	•	•	•	•
2-speed valve	2NOR : Right side – CW preferred	•	•	•	•
	2NOL : Left side – CCW preferred	•	•	•	•
Freewheeling valve	FW10 : Type 1 – Open freewheeling position	•	•	•	
	FW20 : Type 2 – Closed freewheeling position	•	•	•	
D: Accessory	AAAA-BBBB-CCCC/D	B240	B250	B260	B270
No drum brake	NZ : Fittings for one-time lubrication	•	•	•	•
	GZ : Fittings for regular lubrication	•	•	•	•
Drum brake	MRJ40-O : Brake size 320x75	•			
	MRJ50-O : Brake size 400x80		•		
	MRJ60-R : Brake size 420x220 – Right side			•	
	MRJ60-L : Brake size 420x220 – Left size			•	

Technical Details - Motors

Motor Type	B240	B250	B260	B270
Displacement (in³)	38.5 / 48.8	61.0 / 76.3 / 97.6	122.0 / 152.6 / 192.2	244.1 / 305.1 / 384.4
Multi-speed type	1 or 2-speed	1 or 2-speed	1 or 2-speed	1 or 2-speed
Maximum rotating speed (rpm)				
Full displacement	240 / 185	200 / 160 / 125	175 / 140 / 110	125 / 100 / 80
½ displacement	360 / 275	300 / 240 / 185	220 / 180 / 145	160 / 130 / 105
Freewheeling	600	500	400	350
Mechanical freewheeling type				
Motor depressurization	1 or 2-speed motor	1 or 2-speed motor	1 or 2-speed motor	1 or 2-speed motor
Internal pilot valve control	1-speed motor only	1-speed motor only	1-speed motor only	1-speed motor only
Maximum torque (lb-ft)				
Intermittent pressure ¹⁾	1655 / 2083 / 2648	3311 / 4138 / 5296	8814 / 11019 / 13881	17635 / 21990 / 27740
Peak pressure	1932 / 2434 / 3090	3865 / 4824 / 6181	9913 / 12398 / 15614	10970 / 13700 / 17270
Maximum working pressure (psi)				
Intermittent pressure ¹⁾	4350	4350	5800	5800
Peak pressure	5075	5075	6525	6525
Maximum output power (horse power)				
Full displacement	47	67	120	176
½ displacement	28	40	72	108
Weight (pounds)	130	203	330	628
Maximum shaft load (pounds) ²⁾	8800	11,900	27,560	33,950
Grease ring sealing	Available			

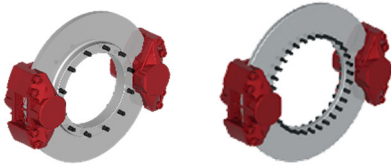
1) Intermittent operation: permissible values for maximum 10% of every minute

2) Load values are for one wheel motor. Values given are applicable for most applications with appropriate wheel offset. Specific calculation has to be done for every application.

Black Bruin

No power like it.

Technical Details – Brakes and Motors



B250
caliper disc brake

B260
caliper disc brake

Technical Details – Caliper Discs				
Caliper Disc Brake	B240	B250	B260	B270
Operation	In Development	Pressure Operated	Pressure Operated	Ask
Maximum brake torque (ft lbs)		7670	8110	
Maximum brake pressure (psi)		2175	2175	
Weight (pounds)		72.8	70.5	



B240
drum brake

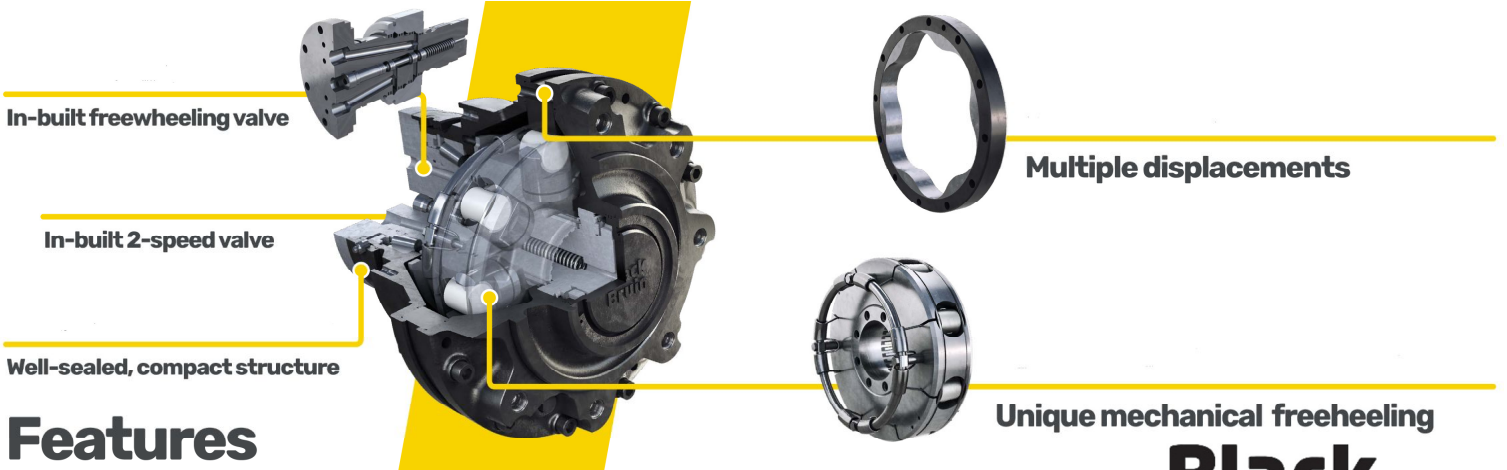
B250
drum brake

B260
drum brake

Technical Details – Drum Brakes				
Drum Brake	B240	B250	B260	B270
Certification	Pressure Operated	Pressure Operated	Pressure Operated	Ask
Operation	Mechanically operated	Mechanically operated	Mechanically operated	
Maximum brake torque (ft lbs)	6340	9960	14,825	
Maximum actuation torque (lb ft)	1000	1175	2065	
Lever actuation direction	Bidirectional	Bidirectional	CW or CCW	
Weight (pounds)	79.4	136.7	265.6	

Main Dimensions - Motors										
Dimension	B240	B250	B260	B270	B240 with drum brake	B250 with drum brake	B260 with drum brake	B250 with disc brake	B260 with disc brake	
A (inches)	11.02	12.28	13.23	13.23	11.59	12.91	18.50	12.28	13.23	
B (inches)	10.32	10.98	12.48	14.84	10.89	11.61	17.76	10.98	12.48	
C (inches)	11.10	13.46	16.38	16.38	13.74	17.48	18.11	13.50	16.38	
D (inches)	8.07	10.83	13.19	16.73	8.07	10.83	13.19	10.83	13.19	
Hub interface ¹⁾	6xM18x1.5	8xM20x1.5	10xM22x1.5	12xM22x1.5	6xM18x1.5	8xM20x1.5	10xM22x1.5	8xM20x1.5	10xM22x1.5	
E (inches)	6.30	8.69	11.06	15.	6.33	8.69	11.06	8.69	11.06	
F (inches)	6.50	7.87	9.45	9.45	7.17	8.86	9.25	7.87	9.45	
G (inches)	5.51	6.89	7.87	10.23	5.51	6.89	7.87	6.89	7.87	
Shaft interface	6xM16x2.0	8xM16x2.0	12xM20x1.5	16xM20x1.5	6xM16x2.0	8xM16x2.0	12xM20x1.5	8xM16x2.0	12xM20x1.5	
H (inches)	-	9.29	10.24	10.24	-	-	-	-	-	
Disc interface	-	12xM12x1.75	32xM10x1.5	32xM10x1.5	-	-	-	-	-	
I (inches)	-	-	-	-	2.85	3.37	6.06	-	-	
Lever distance	-	-	-	-	-	-	-	-	-	
J (inches)	-	-	-	-	-	-	-	18.98	19.84	
Ø w/brake calipers	-	-	-	-	-	-	-	-	-	

1) Alternative hub interfaces available



In-built freewheeling valve

In-built 2-speed valve

Well-sealed, compact structure

Multiple displacements

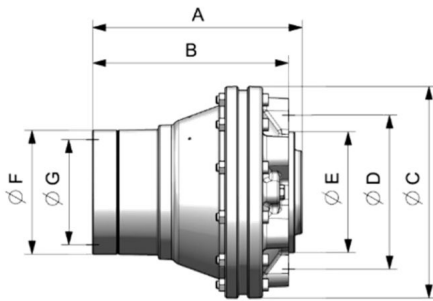
Unique mechanical freeheeling

Features

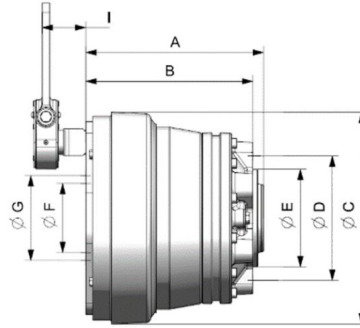
Black Bruin

No power like it.

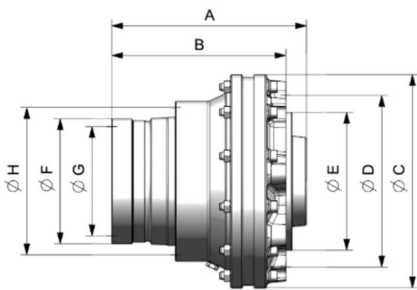
Technical Details – Dimensions



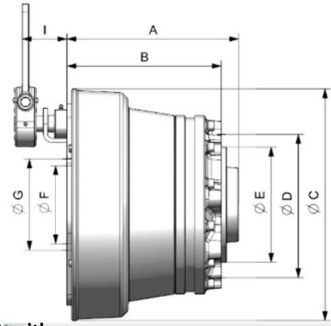
B240
standard motor



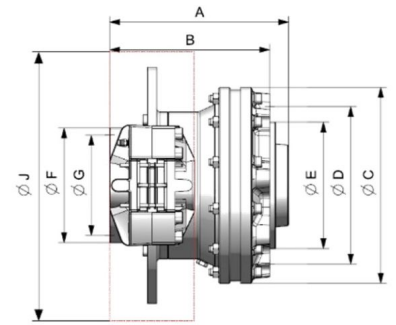
B240 with
drum brake



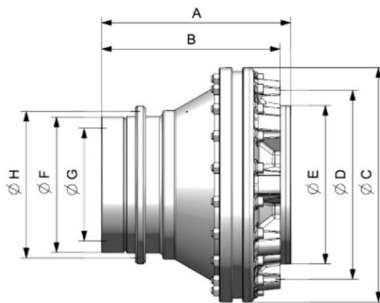
B250
standard motor



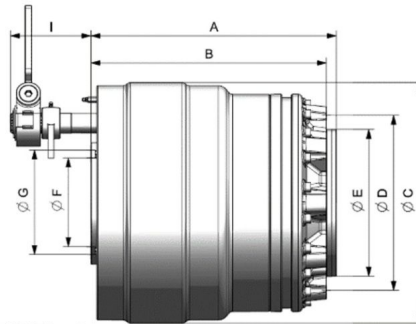
B250 with
drum brake



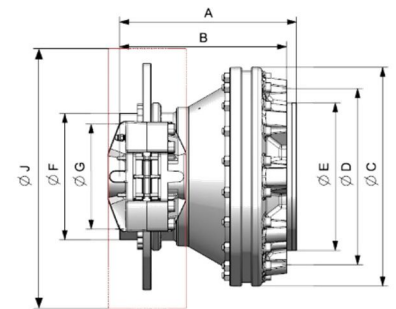
B250 with
caliper disc brake



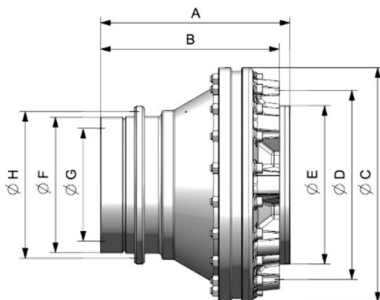
B260
standard motor



B260 with
drum brake



B260 with
caliper disc brake



B270
standard motor

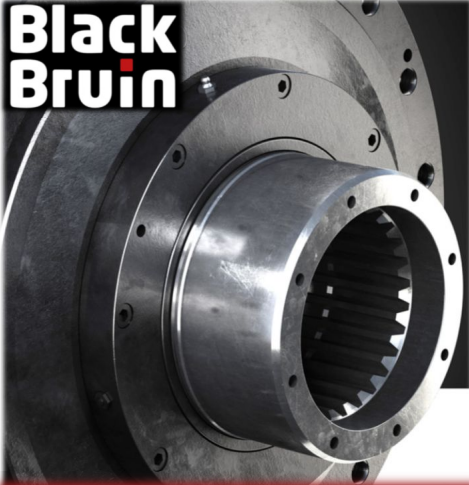
**Black
Bruin**
No power like it.



NORTH AMERICAN HYDRAULICS



**Black
Bruin**



Built to last
With robust piston design



S Series

Industrial Hydraulic Motors



Get the job done
With high productivity



Reliable drives
For challenging conditions



Robust piston design with improved serviceability

60 Years Extensive Experience
in The Field of
Piston-cam Ring Motors

"The Black Bruin powered drills outperform any of our other drills we have in our fleet, hands down!"

Joe Gruber, Goettle, Inc.



DEMANDING RECYCLING APPLICATIONS

- Robust Piston Design
- No Backlash
- Ideal for Direction Changes and Shock Loads
- Handles Inconsistent Waste Material Effortlessly
- Clears Jamming Situations with Ease

DRILLING INDUSTRY APPLICATIONS

- Rotates Massive Drills with High Performance and Durability
- 2-speed Function On-the-go Drill Speed Changes
- High Productivity in Varying Soil and Ground Conditions
- Available with Several Output Shafts
- Useful Through Hole Output Shafts
- Large Internal Diameter Allows High Flow Capacity Feed Through the Motor
- Strong Tapered Roller Bearings Handle Extreme Axial and Radial Loads

MARINE AND OFFSHORE APPLICATIONS

- Winch Drives with Powerful Brakes
- Motors Run at Constant Torque from Low to High Speeds
- Hydraulically Freewheeling
- Reliable Under Demanding Conditions and Environments
- Triple-sealing Design Protects the Motor from Dirt and Moisture
- Safe and Secure Loads Even in Emergency Situations

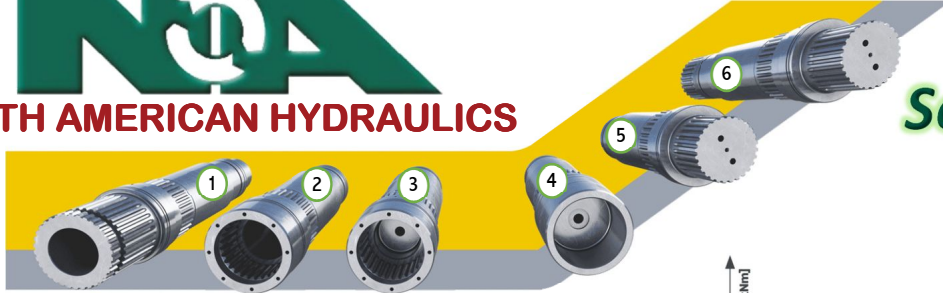
Features

- High load capacity
- Multi-speed function
- Speed sensor
- Modular design
- Well-sealed structure
- Strong brake

**Black
Bruin**

No power like it.

NAHI, LLC – CUSTOMER SERVICE • 225-751-0500 • www.nahi.com



Various Output Shafts

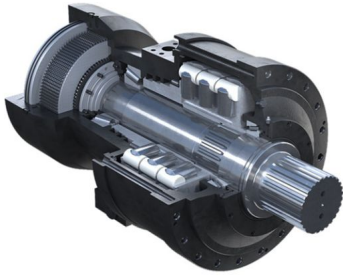
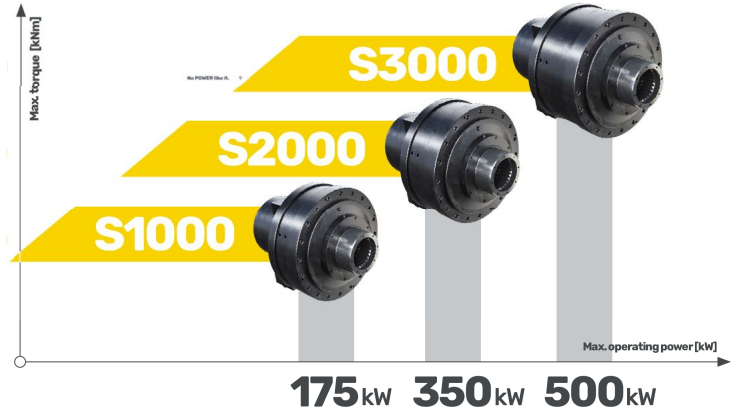
143 kNm

90 kNm

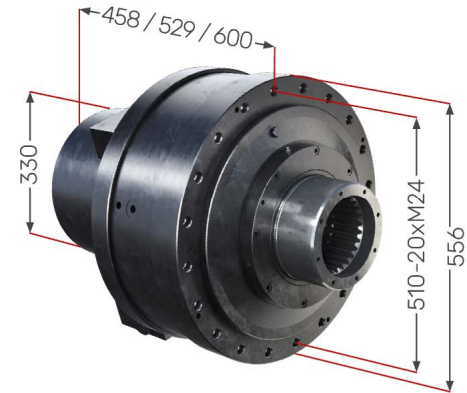
40 kNm

S Series

Industrial Hydraulic Motors



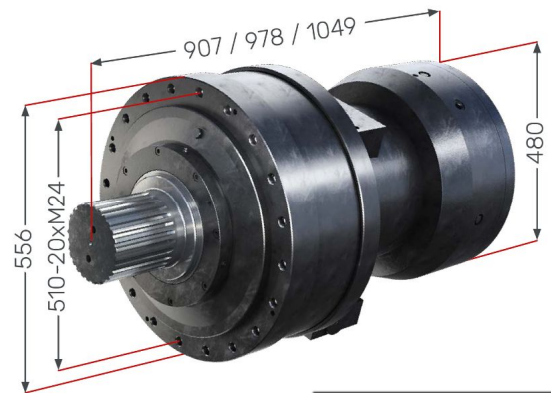
Black Bruin S Series Industrial Hydraulic Motors			
Technical Data	S1000	S2000	S3000
	S1100	S2100	S3100
Displacement (ccm)	4400/6300	8800/10000/12600/15000	14850/18900/22500
Max. operating power (kW)	175/175	350/350/350/260	500/500/390
Max. rotating speed (rpm)	180/180	130/110/90/75	75/60/50
Max. working pressure (bar)	450/450	450/450/450/400	450/450/400
Weight (kg) Without Brake	430-448	540-618	642-725
Weight (kg) With Brake	748-766	850-868	957-975
Brake Torque (Nm)	55000	95000	95000
Options			
1-speed	x	x	x
2-speed valve	x	x	x

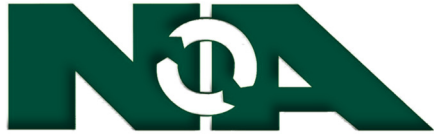


Features

- **High load capacity**
Optimally placed tapered roller bearings give a high radial and axial load capacity.
- **Multi-speed function**
Superior productivity with shift-on-the-go 2-speed function.
- **Speed sensor**
All S Series motors can be equipped with a speed sensor with direction detection.
- **Modular design**
Flexibility in motor design and service. One frame with various shaft configurations.
- **Well-sealed structure**
The triple-sealing design protects the motor and ensures reliable operation in all environments.
- **Strong brake**
T spring-applied, hydraulic release wet multi-disc brake is capable of 95kNm braking torque.
- **Various output shafts**

1 External Splines – Through Shaft	W150/W180
2 Internal Splines – Through Shaft	N150
3 Internal Splines	N140/N150
4 Shrink Disc	Ø140/150
5 External Splines – Solid Shaft	W150/W180
6 External Splines – Solid Shaft, Motors with Brake	W150/W180





NORTH AMERICAN HYDRAULICS



Solution Providers

Crop Sprayer Wheel Motors

- **New and Reman Motors Available**
- **Original OEM Product**



Black Bruin Wheel Motor Models

405-115-124K, 405-115-134K, 405-125-221M, 405-125-231M, 405-125-224L, 405-125-234L, 405-160-224L, 405-160-234L, 405-160-221M, 405-160-231M, 406-200-221D, 406-200-231D, 406-242-121N, 406-242-131N, 406-242-124G, 406-242-134G, C24-201-1028, C51-211-0015, C51-211-0018, C52-211-0023, C53-011-0025, C53-211-0010, C53-211-0023, C55-011-0025, C55-016-0025, C55-301-0010, C55-301-0023, C55-801-0025, C56-211-0015



NAHI, LLC – CUSTOMER SERVICE • 225-751-0500 • www.nahi.com

North American Hydraulics, (NAHI, LLC), partnering with Bonfiglioli planetary gearbox drives.

Features and Benefits:

- Compact and powerful
- Ideal choice for severe duty shock load and impact applications
- Several options for mounting, gear layout, output shaft and motor interface
- 20 finely spaced frame sizes over the 1,000 to 1,100,000 Nm torque range
- Gear Unit Versions – In line, Right angle (with a spiral bevel gear set)
- Output Configuration – Foot and flange mounted, Output shaft: solid with key, splined, splined hollow, hollow with shrink disc
- Input Configurations – Flanged axial piston hydraulic motors, Hydraulic orbit motors, IEC and Nema motor adaptors, Solid input shaft
- Hydraulically released parking brake on request
- Electric Brake – DC and AC type

Proven Solutions for:

- Agriculture / Forestry
- Mining / Oil and Gas
- Construction / Industrial
- Marine / Utility
- Waste and Material Handling
- Railway

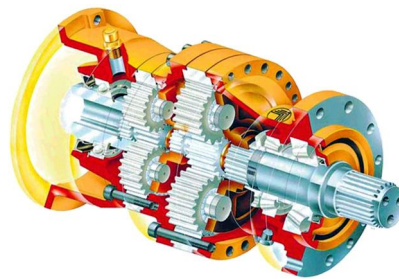
Please contact NAHI for additional information.

The above information should be used as a guide and is subject to change without notice.

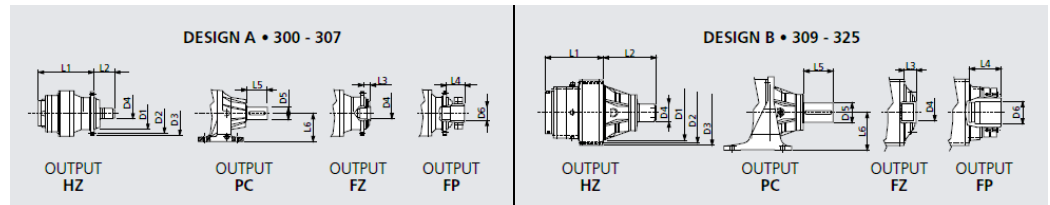
Please contact NAHI for proper selection.



Planetary Gearbox Drive Solution Providers



Planetary Drives – Bonfiglioli 300 Series					
Type	Torque Output (Nm)	Max Power (kW)	Max Input Speed rpm	Inline Reduction Ratio	Design
300	1,000	20	3000	3.4 – 2700	A
301	1,750	30	3000	3.4 – 2700	A
303	2,500	40	3000	3.6 – 2800	A
304	3,600	50	3000	3.6 – 2500	A
305	5,000	60	3000	3.6 – 2800	A
306	8,500	75	2500	3.6 – 2900	A
307	12,500	100	2500	3.4 – 2400	A
309	18,000	130	2500	3.4 – 2400	B
310	25,000	150	2000	4 – 2500	B
311	40,000	180	2000	4 – 2100	B
313	55,000	200	2000	4 – 2200	B
314	80,000	225	2000	4 – 1800	B
315	100,000	250	1500	4 – 1800	B
316	135,000	270	1500	4.4 – 1200	B
317	170,000	300	1000	4 – 1900	B
318	250,000	340	1000	4.4 – 1100	B
319	350,000	380	500	4.8 – 1400	B
321	500,000	450	300	4.4 – 1100	B
323	800,000	850	300	4.6 – 1300	B
325	1,100,000	1050	300	4.6 – 1300	B



North American Hydraulics,
(NAHI, LLC), partnering with
Bonfiglioli gearboxes.

Features and Benefits:

- Compact and rugged design
- High torque and load capabilities
- Mechanical lifetime seals
- Rotating housing
- Available with failsafe parking brake, hydraulically released on request

Proven Solutions for:

- Agriculture / Forestry
- Mining / Oil and Gas
- Construction / Industrial
- Marine / Utility
- Waste and Material Handling
- Railway



Please contact NAHI for additional information.

The above information should be used as a guide and is subject to change without notice.

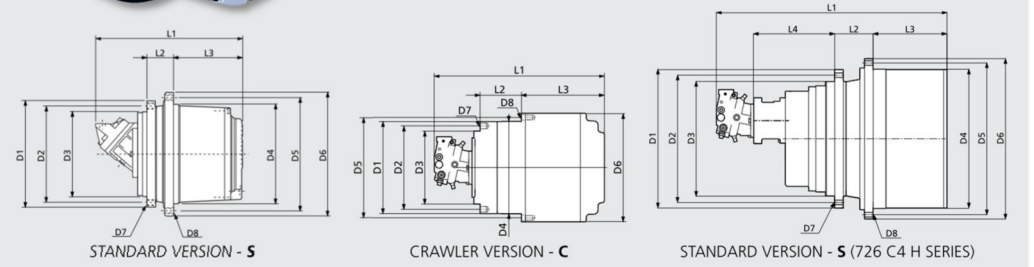
Please contact NAHI for proper selection.



Gear Boxes – Bonfiglioli 700C Series

Type	Torque (Nm)	Range of Ratios 1:	Max Input Speed rpm	Hydraulic Motor Drive inline	Braking Torque Right angle (Nm)	Min. Opening Pressure (bar)	Version	Weight (kg)
700 C1 H	1,000	5.25	1000	LS	140 – 250	15 – 25	S	20
701 C1	2,200	6.2	1000	LS	250 – 350	20 – 30	S	25
703 C2 H	4,000	19-40	3500	HS	210	18	S	42
705 C2 H	10,000	22-53	3500	HS	220 – 310	10 – 20	S	60
706 C3 B	18,000	68-173	3500	HS	250 – 500	10 – 20	S	95
707 C3 B	26,000	55-120	3500	HS	250 – 500	10 – 20	S	135
709 C3 B	30,000	55-147	3500	HS	250 – 600	10 – 20	S	180
710 C3 B	36,000	55-166	3500	HS	250 – 600	10 – 20	S	200
711 C3 B	45,000	71-163	3500	HS	400 – 800	10 – 20	S	270
713 C3 B	60,000	56-147	3000	HS	450 – 800	10 – 20	S	310
715 C3 B	85,000	62-156	3000	HS	600 – 1000	10 – 20	S	350
716 C3 B	100,000	83-174	3000	HS	800 – 1200	10 – 20	S	400
717 C3 H	130,000	92-211	3000	HS	800 – 1200	10 – 20	S	630
718 C3 H	180,000	87-263	3000	HS	800 – 1400	10 – 20	S	750
720 C3 H	220,000	175-287	3000	HS	800 – 1700	10 – 20	S; C	820
722 C3 H	330,000	296-492	3000	HS	1500 – 2500	15 – 30	S	1300
724 C4 H	450,000	350-428	3000	HS	1500 – 2500	15 – 30	S; C	1300
726 C4 H	625,000	248-282-330	3000	HS	2 x 1200	27	S; C	2800

LS = Low Speed Motor / HS = High Speed Motor





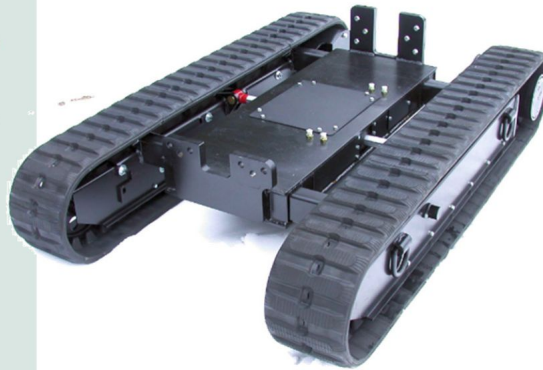
North American Hydraulics, (NAHI, LLC), partnering with Chermack, manufacturing high quality rubber track undercarriage kits for machines requiring extended mobility.

Standard Tracks Include:

- 48", 60", 78" and 90"
- Weight limits from 1,000 lbs to 12,000 lbs
- Through-hardened 4140 track sprockets
- Idlers are forged with magnesium bronze captured bearings
- Adapter plates provided for ease of machine integration

Track Options Include:

- Aggressive black rubber tracks
- Turf friendly tracks
- Non-Marking grey tracks
- Steel tracks
- Expandable tracks are available to fit through narrow passages



Steel & Rubber Tracks for Any Application

Drive Offerings Available From One of NAHI's Product Line:

- Nachi
- O&K
- Bonfiglioli
- Black Bruin
- Hansa

From Engine to the Ground, North American Hydraulics (NAHI) can provide complete hydraulic systems specific to your application.



Track with Adapter Plate - Unboltable

107" Custom Track

60" Custom Stainless Steel

30" Custom Track

90" High Ground Clearance Open Frame

Non-Marking Box Frame for Indoor or Concrete

Steel Custom Tracks

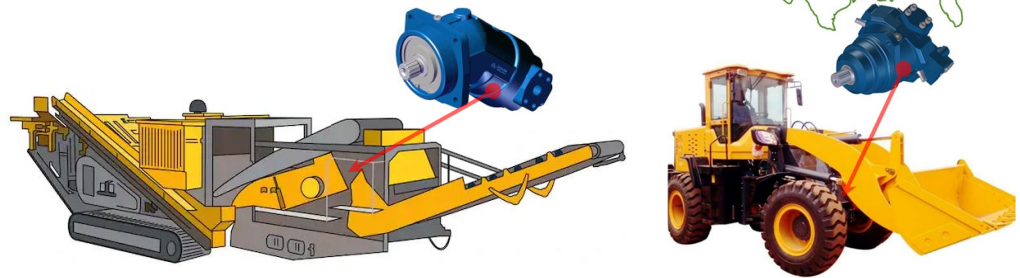
North American Hydraulics, NAHI, LLC partnering with Dana Brevini, High Performance Axial Piston Motors offering Hydrostatic Solutions for Fixed and Variable Displacement applications.

Features and Benefits:

- 40° and 28° bent axis designs
- Various control options
- High quality components and manufacturing techniques
- Fully laboratory tested and field proven
- Maximum efficiency and long life
- Heavy duty bearings for high radial and axial loads applications

Proven Solutions for:

- Construction
- Material handling
- Agricultural
- Utility Machines
- Forestry
- Off-shore



Fixed Displacement Motors

Models	Displacement		Max Speed	Max Flow	Max Pressure	Torque	Output Flange	Output Shaft
	in ³	cm ³	rpm	gpm	psi	ft-lbs		
SH11C Motors	1.2	19.9	6300	33.0	6960	112.0	SAE"C" 4B	7/8"-13T
	1.9	31.9	6300	53.1		179.8		1.25"-14T
	3.4	56.4	5000	74.5		317.6	1.25"-14T	
	3.8	63.3	5000	83.4		356.7		
	4.7	77.8	4500	92.4		438.5		
	5.3	86.2	4500	102.5		486.1		
	6.6	108.4	4000	114.3		611.0	SAE"D" 4B	1.75"-13T
	7.6	125.0	4000	132.0		703.1		1.75"-23T
	10.0	164.0	3600	155.7		923.5	1.75"-13T	
	10.9	178.1	3600	169.2		1003.1		
SH11CR Motors	1.2	19.9	6300	33.0	6960	112.0	ISO	ISO
	1.9	31.9	6300	53.1		179.8		
	3.4	56.4	5000	74.5		317.6		
	3.8	63.3	5000	83.4		356.7		
	4.7	77.8	4500	92.4		438.5		
	5.3	86.2	4500	102.5		486.1		
	6.6	108.4	4000	114.3		610.0		
	7.6	125.0	4000	132.0		703.1		
	10.0	164.0	3600	155.7		923.5		
	10.9	178.1	3600	169.2		1003.1		

Variable Displacement Motors

Models	Displacement		Max Speed	Max Flow	Max Pressure	Torque	Output Flange	Output Shaft
	in ³	cm ³	rpm	gpm	psi	ft-lbs		
SH7V Motors	3.7	61.0	8350	71.5	6960	343.4	SAE"C" 4B	1.25"-14T
	4.9	80.6	7350	85.0		453.9		
	6.9	112.5	6300	105.6		633.0	SAE"D" 4B	1.75"-13T
	9.8	161.0	5500	132.0		906.5	4B	1.75"-15T
	13.2	216.0	5100	165.4		1216.0	SAE"E" 4B	
SH7VR Motors	3.7	61.0	8350	71.5	6960	343.4	ISO	ISO
	4.9	80.6	7350	85.0		453.9		
	6.8	112.5	6300	105.6		633.0		
	9.8	161.0	5500	132.0		906.5		

Options and Controls:
 2 position and proportional hydraulic control
 12 or 24 volt 2 position and proportional electrical control

Please contact NAHI for additional information

The above information should be used as a guide and is subject to change without notice.

Please contact NAHI for proper selection.





NORTH AMERICAN HYDRAULICS

In-Line & Right-Angle Power Transmissions Solution Providers



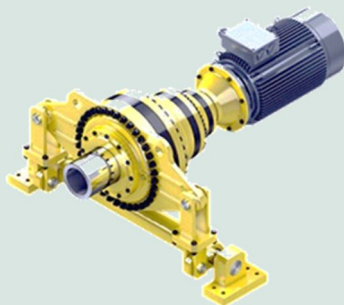
North American Hydraulics, (NAHI, LLC), partnering with Dinamic Oil offering modular planetary gearboxes for both mobile and industrial applications.

Features and Benefits:

- Modular Construction
- Static, Pressure to Release Brakes
- Reinforced Output Supports, Eccentric Mounting and Integral Pinions for Slewing Applications
- Various Output Accessories, Foot Mounts and Torque Arms

Proven Solutions for:

- Agricultural
- Forestry
- Construction
- Marine
- Mining
- Transportation
- Power Generation



Please contact NAHI for additional information.

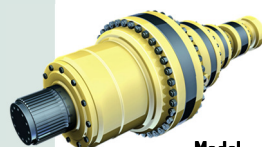
Torque values will vary by ratio.

The above information should be used as a guide and is subject to change without notice.

Please contact NAHI for proper selection.

Model RE and RA Planetary Reducers				
Model RE	Ratio	Model RA	Ratio	Max Rating RE & RA (lb-ft)
110	3.5 to 2,153	110	11.1 to 1,194	1,313
210	3.5 to 2,153	210	11.1 to 1,194	2,655
240	3.8 to 1,658	240	12.2 to 900	2,950
310	3.6 to 1,990	310	10.0 to 1,244	4,152
510	3.6 to 1,990	510	10.0 to 1,244	8,556
610	4.0 to 1,416	610	11.1 to 629	10,990
810	3.6 to 2,264	810	10.4 to 1,184	13,719
1020	3.6 to 2,264	1020	10.4 to 1,184	20,062
1520	4.1 to 2,041	1520	12.6 to 1,076	28,765
2000	3.8 to 1,451	2000	11.8 to 907	32,526
2520	4.0 to 1,925	2520	12.3 to 1,091	36,952
3000	4.0 to 1,742	3000	12.3 to 968	58,120
3510	3.8 to 2,392	3510	12.5 to 1,118	71,175
4800	3.8 to 1,741	4800	12.5 to 967	81,869
6000	4.1 to 1,435	6000	13.5 to 1,009	99,571
8000	4.0 to 3,164	8000	13.0 to 800	146,037

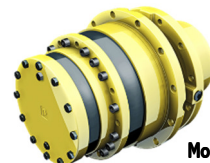
Model GB and GBA Planetary Reducers				
Model GB	Ratio	Model GBA	Ratio	Max Rating GB & GBA (lb-ft)
12010	4.1 to 3,544	12010	48.6 to 3,161	207,255
16000	3.8 to 3,172	16000	47.8 to 3,544	263,310
21000	3.7 to 3,129	21000	49.6 to 3,065	299,450
26000	3.7 to 3,532	26000	55.8 to 2,527	398,284
31000	3.4 to 3,559	31000	172.3 to 5,011	479,415
40000	3.4 to 3,559	40000	172.3 to 5,011	479,415
45000	3.8 to 3,554	45000	210.5 to 2,211	479,415
53000	3.8 to 3,103	53000	248.0 to 4,278	878,437
61000	3.8 to 2,943	61000	190.3 to 11,772	834,183
85000	3.8 to 2,448	85000	214.3 to 11,429	834,183
110000	4.3 to 3,553	110000	744.4 to 21,647	1,659,515
130000	4.3 to 2,350	130000	909.3 to 10,967	2,006,169
150000	4.1 to 2,344			2,006,169
205000	4.1 to 3,259			2,669,975
235000	4.1 to 2,902			2,669,975



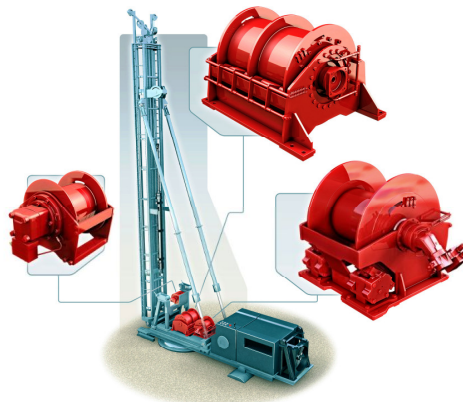
Model RE



Model GB



Model RW



Model GBA

Model RW Winch Drive		
Model RW	Ratio	Max Rating (lb-ft)
512	13.8 to 43.6	5,443
513	42.6 to 189.3	5,753
612	13.4 to 33.1	7,228
613	49.1 to 210.9	7,486
812	14.1 to 42.7	8,666
813	43.6 to 207.3	9,146
1022	14.1 to 42.7	12,244
1023	43.6 to 226.7	13,320
1532	17.9 to 45.7	16,706
2522	17.5 to 41.8	23,993



NAHI, LLC – CUSTOMER SERVICE • 225-751-0500 • www.nahi.com

North American Hydraulics, (NAHI, LLC), partnering with Donaldson offering hydraulic filters and accessories to keep sophisticated heavy-duty mobile equipment running smoothly.

**Filtration Solutions
Engineered for
All Types of Equipment**



Features and Options:

- Low Pressure Filters, the most common type of filter in hydraulic circuits, rated for working pressures up to 350 psi. In-tank and in-line configurations are available to accommodate virtually any application.
- Medium Pressure Filters, offered in both spin-on and in-line cartridge-style can be used in applications up to 2000 psi. Duramax Filters are the highest rated medium pressure spin-on filters available.
- High Pressure Filters help protect critical components from catastrophic failure, rated for working pressures up to 6500 psi. Various porting sizes and types, including manifold style, are available.



Benefits:

- Reliable
- Long Lived
- Easy to Install

Please contact NAHI for additional information.

The above information should be used as a guide and is subject to change without notice.

Please contact NAHI for proper selection.

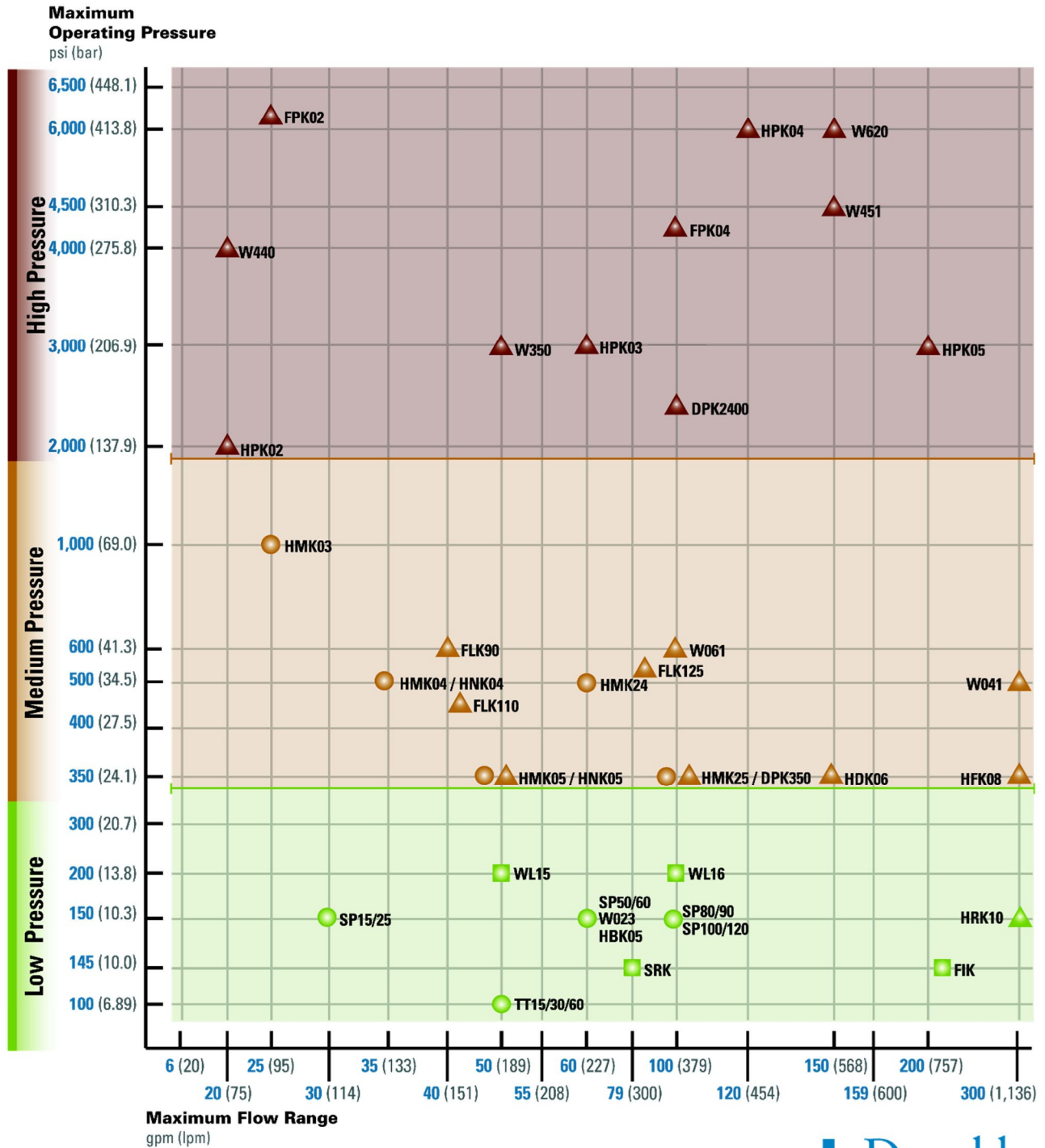
Comprehensive Hydraulic Filtration

Model Series	Max Flow gpm	Max Pressure psi	Porting Size Options
LOW PRESSURE - Spin-On Filters			
SP15/25	30	150	½", ¾" NPT, SAE-8, -12 O-ring
W023	60	150	1¼" NPT, SAE-20 O-ring
HBK05	60	150	1¼" NPT, SAE-20 O-ring
SP50/60	60	150	1¼" NPT, SAE-20 O-ring
SP80/90	100	150	1½" NPT, SAE-24 O-ring, 2" SAE 4-Bolt Flange Code 61
SP100/120	100	150	1½" NPT
TT15/30/60	50	100	¾", 1½" NPT
LOW PRESSURE - In-Tank Filters			
WL15	50	200	SAE-24 O-ring, 1½" SAE 4-Bolt Flange Code 61
WL16	200	200	1½" NPT, SAE-24 O-ring, 1½" SAE 4-Bolt Flange Code 61
Fik	170	145	½" NPT, ¾" NPT, 1" NPT, SAE-8, -12, -16, -20, -24 O-ring, 2" SAE 4-Bolt Flange Code 61
SRK Combo	79	145	Inlet: SAE-16, -20 O-ring, Outlet: SAE-16 O-ring
LOW PRESSURE - In-line Cartridge Filters			
HRK10	300	150	4" ANSI Flange, 8-bolt 150#
MEDIUM PRESSURE - Spin-on Filters			
HMK03	25	1000	SAE-12 O-ring
HMK04	35	500	¾", 1" NPT, SAE-12, -16 O-ring
HNK04	35	500	SAE-12, -16 O-ring
HMK05	50	350	1¼" NPT, SAE-20 O-ring
HNK05	50	350	SAE-20 O-ring
HMK24	60	500	SAE-20 O-ring, 1¼" SAE 4-Bolt Flange Code 61
HMK25	100	350	1½" NPT, SAE-24 O-ring, 1½" SAE 4-Bolt Flange Code 61
MEDIUM PRESSURE - In-line Cartridge Filters			
FLK90	40	580	SAE-12, -16 O-ring
FLK110	42	435	SAE-20 O-ring
FLK125	85	508	2" SAE 4-Bolt Flange Code 61
DPK350	100	350	1½" SAE 4-Bolt Flange Code 61
W061	100	600	SAE-12, -16, -20 O-ring
HDK06	150	350	2½" NPT
W041	300	500	SAE-24 O-ring, 2" or 2½" SAE 4-Bolt Flange Code 61
HFK08	300	350	3" NPT, SAE-20 O-ring
HIGH PRESSURE - In-line Cartridge Filters			
HPK02	20	2000	SAE-12 O-ring
DPK2400	100	2400	1½" SAE 4-Bolt Flange Code 61
W440	20	4000	SAE-12 O-ring or Manifold Mounting
FPK02	25	6090	SAE-12 O-ring
W350	50	3000	SAE-12, -16 O-ring
HPK03	60	3000	SAE-12, -16 O-ring
FPK04	100	4350	SAE-20 O-ring
HPK04	120	6000	SAE-20 O-ring, 1¼" or 1½" SAE 4-Bolt Flange Code 61 or 62
W451	150	4500	SAE-24 O-ring, 1½" SAE 4-Bolt Flange Code 61 or 62, Manifold Mounting
W620	150	6000	SAE-16, -20, -24 O-ring, 1¼" SAE 4-Bolt Flange Code 62, 1½" SAE 4-Bolt Flange Code 61
HPK05	200	3000	2" SAE 4-Bolt Flange Code 61



Filter Housing Style Code

- Spin-on
- In-tank Housing / Cartridge
- ▲ In-line Housing / Cartridge





NORTH AMERICAN HYDRAULICS

North American Hydraulics, (NAHI, LLC), partnering with Eaton Dowmax axial piston motors.

Features and Benefits:

- Quiet operation
- Robust construction
- Compact and easy installation
- High starting torque and high overall efficiency
- Smooth operation at low speed. Multiple pistons and double swash plate result in smooth rotation at speeds down to 1 rev/min
- High pressure — continuous operating pressure of 3990 psi
- Wide range of models — 13 displacements
- Speed pickup system available

Proven Solutions for:

- Winch drive
- Swing drive
- Conveyor
- Traction drive
- Stirrer drive
- Crusher drive



Please contact NAHI for additional information.

The above information should be used as a guide and is subject to change without notice.

Please contact NAHI for proper selection.

Axial Piston Motors Solution Providers



Dowmax Me - Axial Piston Motor

Model	Displacement in ³	Max Speed (rpm)		Peak Pressure psi	Rated Horse Power (hp)	Torque ft-lbs
		Standard	High Power			
ME100	6.0	1000	1000	4,600	60	318
ME150	9.3	600	800		56	492
ME175	10.7	600	800		64	564
ME300B	18.3	660	800		121	974
ME350B	21.4	660	800		142	1,128
ME600B	36.6	500	600		184	1,932
ME750B	45.8	450	520		207	2,419
ME850B	51.7	400	450		208	2,735
ME1300A	82.1	200	390		185	3,872
ME1900	114.0	140	260		172	5,377
ME2600	157.3	110	230		213	7,427
ME3100	189.4	110	230		249	8,939
ME4100	250.0	75	200		283	11,794
MK300**	18.6/9.3	600	800	110/50	878/438	
MK600**	36.7/18.4	300	600	165/108	1,733/870	

Note: **2 speed motor

2-Speed Motor

The front and rear piston travel independently, making use of the advantages of opposed piston and double swash plates motor.

- Slim configuration
- High starting efficiency
- Good low-speed performance
- Change-over between large and small displacement can be done while running with a load
- No separate pilot pressure is required for change-over because of the self-pressure utilized as a pilot pressure



NAHI, LLC – CUSTOMER SERVICE • 225-751-0500 • www.nahi.com

North American Hydraulics,
(NAHI, LLC), partnering with Eaton
Disc Valve Hydraulic Motors.

Features and Benefits:

- Compact, Powerful Package – Proven Orbit Motor Principle
- Output Shaft
- No Shaft and Bearing Assembly (Bearingless Motor)
- Increased Shaft Seal & Bearing Life and True Bi-directionality – Three-Zone Pressure Design
- Port Configuration
- Mounting Flange

Proven Solutions for:

- Harvesting Equipment
- Swing Motor
- Brush Cutters and Mowers
- Turf Equipment
- Trencher / Grinders and Mixers
- Sprayers / Irrigation Reels
- Forestry Equipment
- Wood Products / Sprayers
- Directional Boring any place pressure relief protection is optimal for system or motor performance and life

Please contact NAHI for additional information.

The above information should be used as a guide and is subject to change without notice.

Please contact NAHI for proper selection.



Disc Valve Hydraulic Motors
Solution Providers



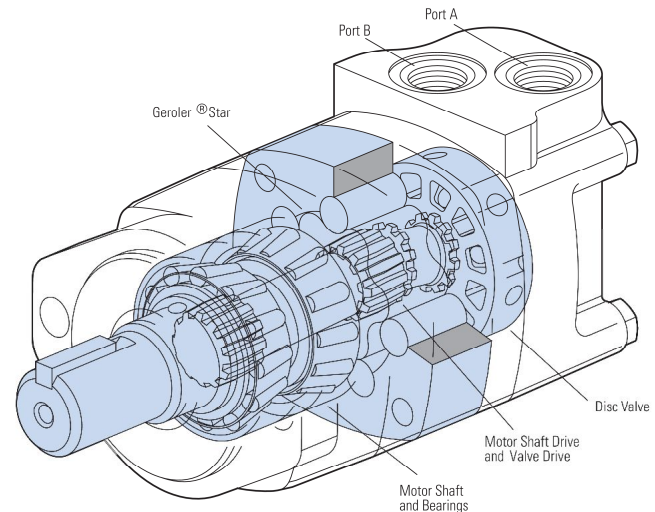
Disc Valve Hydraulic Motors					
Models	Displacement in ³ / cm ³	Max Speed rpm	Max Flow gpm	Max Pressure psi	Torque ft-lbs
2000 Series Motors	2.1/34	1215	11	4500	1250
	2.5/41	1216	14	4500	1497
	4.0/66	1214	23	4500	2446
	4.9/80	908	20	4500	3035
	5.5/90	1042	25	4500	3458
	6.2/100	924	25	4500	3950
	8.0/130	720	25	4500	4970
	9.6/160	713	30	4500	5040
	11.9/195	577	30	4500	5890
	14.9/245	462	30	4500	7250
	18.7/305	365	30	4500	7820
4000 Compact Series Motors	24.0/395	287	30	3250	8170
	29.8/490	230	30	2500	8225
	9.8/160	699	30	4500	6108
	12.3/200	562	30	4500	7436
	15.4/250	450	30	4500	8272
	19.8/325	351	30	4500	9320
	24.6/405	282	30	4000	8153
Delta Series Motors	29.8/490	232	30	3750	10778
	6.9/113	831	25	4000	3697
	8.9/146	778	30	4000	4984
	12.1/198	516	30	4000	6421
	14.3/234	485	30	4000	7543
	15.4/252	450	30	4000	8236
	18.3/300	379	30	4000	9629
	21.2/347	327	30	4000	10698
	24.1/395	288	30	3500	10684
	28.7/470	241	30	3000	10824
	33.1/542	209	30	2500	10644
4000 Series Motors	39.6/649	175	30	2250	11100
	46.0/754	151	30	2000	10910
	6.7/110	868	25	4500	4160
	7.9/130	862	30	4500	4940
	9.9/160	693	30	4500	6240
	12.5/205	546	30	4500	7100
	15.0/245	532	35	4500	7470
	17.1/280	488	35	4500	8471
6000 Series Motors	19.0/310	422	35	4500	9420
	24.0/395	376	40	4250	10470
	30.0/495	305	40	3300	10350
	38.0/625	241	40	2600	10450
	11.9/195	866	45	4500	7620
	15.0/245	834	55	4500	9740
	19.0/310	698	60	4500	11990
	23.9/390	570	60	4500	14490
10,000 Series Motors	30.0/490	454	60	4500	16670
	38.0/625	355	60	3500	16800
	45.0/735	303	60	3000	15040
	49.0/805	280	60	2500	16377
	60.0/985	230	60	2250	16580
	21.0/345	784	70	4000	12310
	29.3/480	552	70	4000	17410
10,000 Series Motors	40.6/665	396	70	4000	23080
	57.4/940	279	70	3750	30460



Product Description

In the late 1950's the original low speed, high torque hydraulic motor was developed from a pump Geroter element consisting of an internal gear ring and a mating gear or star. While attaching the internal gear ring to the housing as a non moving part, oil was ported to pressurize and turn the internal star in an orbit around a center point. This slow turning star coupled with a splined drive to the output shaft became the Char-Lynn Orbit® motor.

A few years after this original Char-Lynn Orbit motor was introduced another original motor concept went into production. This motor had rolls incorporated into the internal gear ring, this element was identified by the name Geroler and is a registered trade name of Eaton Hydraulics. From these early years the Geroler motor has seen many design changes to make these Geroler motors the best the industry has to offer. Examine the simplicity of these Geroler disc valve motors shown below. Also examine all the following pages for high value Char-Lynn disc valve motors from Eaton Hydraulics.



Disc Valve Hydraulic Motors	
2000 Series Motors	The popular 2000 Series provides torque up to 7500 lb-in. This proven design is reliable and durable. Eaton has added options that make the motor more flexible to use in a wide variety of applications. The expanded displacement range using patented “Drive in Drive” technology is the latest innovation in the 2000 series of motors.
4000 Compact Series Motors	This new compact addition in the family of disc valve hydraulic motors produces the same amount of torque as the current 4000 Series. Yet, it is housed in an envelope similar to its smaller counterpart, the 2000 Series. The unit’s intermittent torque rating is 10,800 lb-in. A variety of mounting options include two 2 bolt mounts (SAE A, SAE B), and four 4 bolt mounts (magneto, standard and wheel mounts). For added flexibility, the motor can be specified with either the larger size shafts of the 2000 Series or standard output shaft sizes of the 4000 Series, plus one new 1-1/2 inch straight (the small envelope and optional shaft sizes make this motor ideal for vehicles like skid-steer loaders whose hallmark is high power and productivity in a small framer).
Delta Series Motors	This wheel motor is the latest addition to the Char-Lynn product line. The Delta motor provides torques up to 11,500 in-lbs. Eaton has packed this motor with many “best in class” features: the optimized geroler profile ensures smooth operation; the disc valve technology has the best performance and the bearing capacity is the highest in the industry for very demanding applications.
4000 Series Motors	The 4000 Series offers up to 8600 in-lb of torque and 25 gpm (continuous ratings). This is the corner stone of the Char-Lynn line.
6000 Series Motors	With torque up to 15,000 in-lb and 40 gpm continuous, this motor is packed with power and smooth operation.
10,000 Series Motors	This is the biggest disc valve motor of our line with up to 46 gpm and 24,000 in-lb of torque in continuous mode, this motor is powerful and yet provides good efficiency.



North American Hydraulics, (NAHI, LLC), partnering with Eaton HP30 Hydraulic Motors.

Features and Benefits:

- Patented Geroler Technology in an extremely compact powerful package
- Unique patented valving design which minimizes no load pressure drop for reduced parasitic heat build-up improving vehicle operating efficiency and reducing emissions
- High starting torque
- Output shaft
- Two-speed capability
- Series circuit capable
- Reliable and dependable performance

Proven Solutions for:

- Grinders and Mixers
- Harvesters / Augers
- Sprayers
- Forestry Equipment
- Material Handling
- Horizontal/Vertical Drilling
- Metal Forming
- Skid Steer Loaders

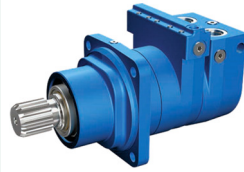
Please contact NAHI for additional information.

The above information should be used as a guide and is subject to change without notice.

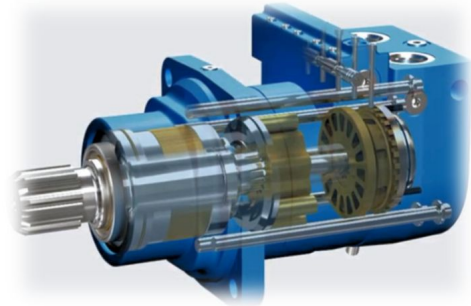
Please contact NAHI for proper selection.



Low Speed High Torque Motors
Solution Providers



HP30 Motor - Low Speed High Torque Motors					
Models	Displacement in ³ / cm ³	Max Speed rpm	Max Flow gpm	Max Pressure psi	Torque ft-lbs
HP30 Series Motors	21.0/344	770	70	5,500	15,876
	24.4/400	663	70	5,500	18,446
	26.5/434	610	70	5,500	20,034
	29.3/480	552	70	5,500	22,150
	41.3/677	392	70	4,500	25,605



HP30 Motor - Low Speed High Torque Motors						
Models	Displacement High/Low in ³	Displacement High/Low cm ³	Max Speed High/Low rpm	Max Flow High/Low gpm	Max Pressure psi	Torque High / Low ft-lbs
HP30 Series Motors In Two-speed Mode	14.0/21.0	229/344	743/495	45/45	5,500	10,584/15,876
	16.3/24.4	267/400	639/426	45/45	5,500	12,297/18,446
	17.7/26.5	289/434	588/392	45/45	5,500	13,356/20,034
	19.5/29.3	320/480	532/355	45/45	5,500	14,767/22,150
	27.5/41.3	477/677	378/252	45/45	5,500	17,068/25,602

Other Products Offered by Eaton

EATON
Char-Lynn



EATON



NORTH AMERICAN HYDRAULICS

North American Hydraulics, (NAHI, LLC), partnering with Eaton HydreMAC radial piston motors.

Features and Benefits:

- High efficiency lowers operating costs
- Very low pressure drop delivers more output torque
- Symmetrical design reduces uneven loading to increase operating life
- Replaceable wear surfaces lowers maintenance costs by extending maintenance intervals

Proven Solutions for:

- Pulp and Paper
- Mining
- Recycling
- Marine
- Oil and Gas
- Processing
- Civil Engineering



Please contact NAHI for additional information.

The above information should be used as a guide and is subject to change without notice.

Please contact NAHI for proper selection.

**Radial Piston Motors
Solution Providers**



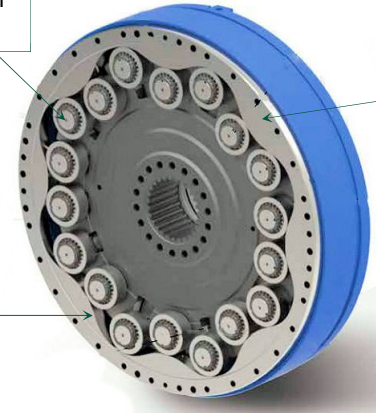
HydreMAC Radial Piston Motor						
Model	Displacement in ³	Max Speed (rpm)		Peak Pressure psi	Rated Horse Power (hp)	Torque ft-lbs
		Standard	High Power			
RCC 1013	780	65	100	6,090	1,200	1,031
RCC 1016	982	50	85		1,070	1,295
RCD 1020	1231	45	70		1,104	1,625
RCD 1025	1546	40	60		1,189	2,041
RCE 1030	1867	35	50		1,196	2,467
RCE 1036	2165	32	42		1,165	2,858
RCF 1042	2575	28	38		1,254	3,406
RCF 1050	3093	25	35		1,388	4,087



Symmetrical design with 18 piston/roller assemblies ensures even loading of all components

8 cam lobes provide 144 power strokes per revolution – Class leading low speed performance “Constant” flow profile provides zero torque ripple and extremely smooth low speed

Flame Hardened cam ensures long life



EATON | **Hydre-MAC**
built to go the distance

NAHI, LLC – CUSTOMER SERVICE • 225-751-0500 • www.nahi.com

North American Hydraulics,
(NAHI, LLC), partnering with Eaton
Spool Valve Motors.

Features and Benefits:

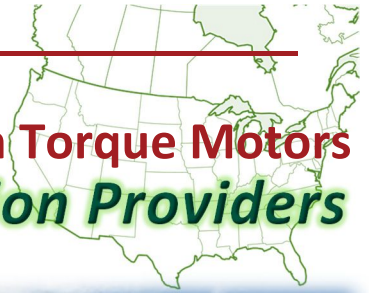
- Compact, Powerful Package – Proven Orbit Motor Principle
- Infinite Bearing Life – Hydrodynamic Journal Bearings
- High Efficiency – Constant Clearance Geroler
- Increased Shaft Seal & Bearing Life – Three-Zone Pressure Design
- Increased Drive Life – Reduced Drive Running Angle
- Reduced Leakage – High-pressure Seals
- Modular Design

Proven Solutions for:

- Harvesters / Augers / Spreaders
- Machine Tools
- Conveyors / Winches
- Turf Care Equipment
- Food Processing
- Aerial Work Platforms
- Anywhere a compact drive with high output torque is needed



Low Speed High Torque Motors
Solution Providers



Spool Valve Motors - Low Speed High Torque Motors

Models	Displacement in ³ / cm ³	Max Speed rpm	Max Flow gpm	Max Pressure psi	Torque ft-lbs
J Series Motors	.50/8.2	1992	5.5	3190	193
	.79/12.9	1575	6.5	3190	321
	1.21/19.8	1043	6.5	3190	425
	1.93/31.6	650	6.5	2765	733
	3.00/50.0	393	6.5	2175	765
S Series Motors	3.6/59	963	18	2500	1271
	4.6/75	792	20	2500	1649
	5.7/97	607	20	2500	1992
	7.3/120	472	20	2500	2582
	8.8/144	394	20	2350	2870
	10.1/166	343	20	2300	3191
	11.4/187	304	20	2250	3533
	13.7/225	253	20	2050	3843
T Series Motors	18.2/298	190	20	1800	4467
	22.7/372	153	20	1500	5200
	2.2/36	1021	10	2750	824
	3.0/49	906	15	2750	1131
	4.0/66	849	18	2750	1488
	4.9/80	694	20	2750	1872
	6.2/102	550	20	2750	2339
	8.0/131	426	20	2500	2718
	9.6/157	355	20	2500	3178
W Series Motors	11.9/195	287	20	2500	3864
	14.9/244	229	20	2250	4290
	18.7/306	183	20	1800	4275
	22.6/370	152	20	1500	4300
	4.9/80	267	6	2600	1676
	7.7/126	288	8	2600	2640
	9.4/154	214	9	2600	3301
H Series Motors	11.9/195	200	10	2600	3882
	15.3/251	200	14	2400	4849
	18.5/303	200	16.5	2000	4769
	22.8/374	200	20	1800	4970
	2.2/36	1021	10	2400	668
	2.8/46	969	14	2400	876
	3.6/59	953	17	2400	1076
	4.5/74	760	18	2400	1401
	5.9/97	585	18	2400	1829
H Series Motors	7.3/120	469	20	2400	2278
	8.9/146	385	20	2300	2653
	9.7/159	353	20	2250	2824
	11.3/185	304	20	2150	3151
	14.1/231	243	20	2000	3671
	17.9/293	192	20	1800	4121
	22.6/370	152	20	1500	4283
	45.1/739	74	20	800	4600

Please contact NAHI for additional information.

The above information should be used as a guide and is subject to change without notice.

Please contact NAHI for proper selection.

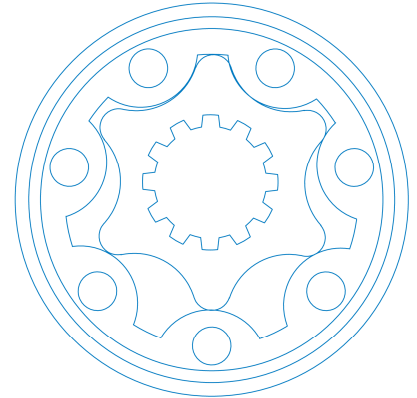


Technical Details – Spool Valve Motors

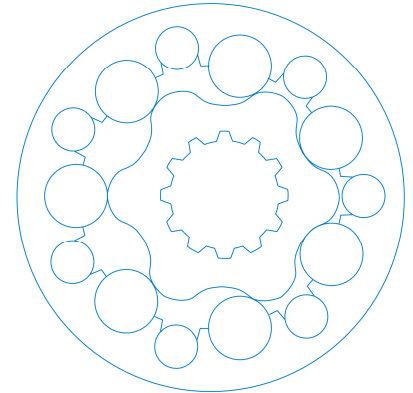
Spool valve technology is typically used where compact, economical solutions are most needed. Spool valve motors use a spool valve to precisely time and control flow through the orbit gear set (Gerotor or Geroler). Inlet flow is directed into and out of the orbit set via slots in the spool and passages through the motor housing. The result is a very cost-effective compact package suited to many application requirements. The three

primary components in the motor are the orbit star, drive and output shaft. H, S and T Series incorporate the spool valve and hydrodynamic bearings in the motor shaft. The W series is similar except a ball bearing is used for the front bearing for increased side-load capacity. Due to its compact size and high speed capability, the J Series is unique and utilizes a separate dedicated spool and spool valve drive. All motors utilize Eaton's

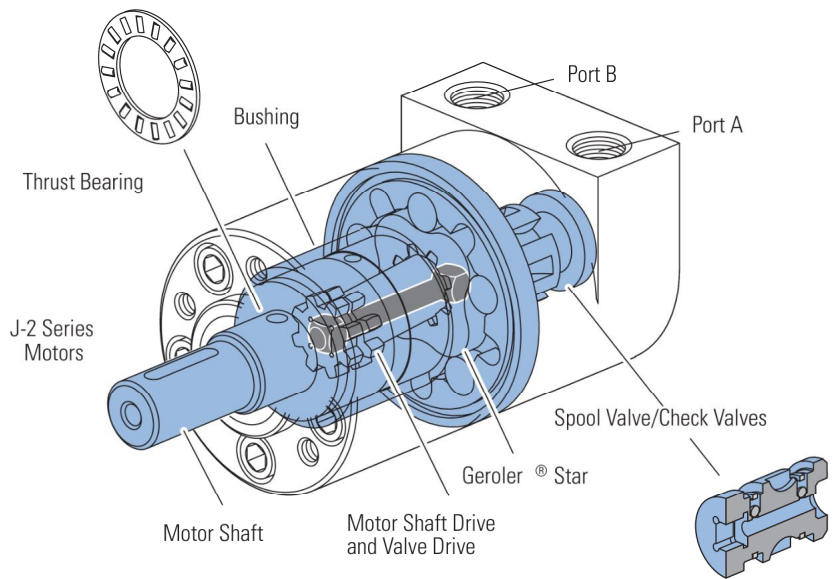
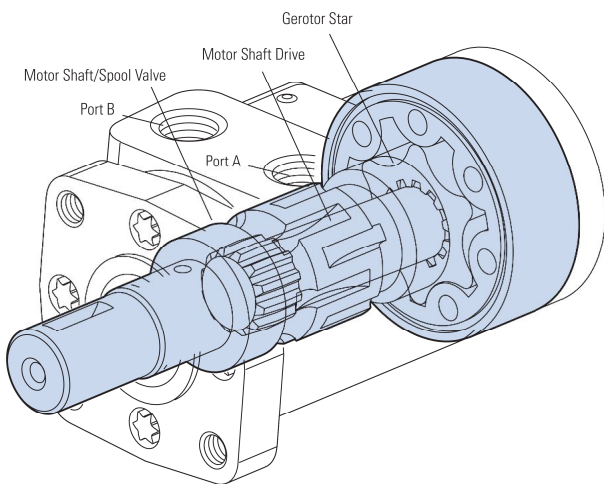
constant-clearance Geroler technology except the H Series, which continues to use the time-proven H motor gerotor set. These motors all use a three-zone pressure design consisting of three unique pressure areas: 1) inlet, 2) return, 3) case. This provides the capability to limit motor case pressure and allows the use of several case pressure options for extended shaft seal and thrust bearing life.



Gerotor



Geroler



North American Hydraulics,
(NAHI, LLC), partnering with Eaton
VIS (Valve-In-Star) Hydraulic Motors.

Features and Benefits:

- Patented VIS Geroler Technology in an extremely compact powerful package
- Simplified design with only three moving components: geroler star, drive, output shaft
- Pressure-balance Geroler improves efficiency offering the highest output torque in its class
- Shuttle valve option for reliable internal drive lubrication to reduce system temperatures
- High horsepower density
- Variety of optional features including two-speed option, and case flow solutions for both closed-loop and open-loop applications.
- Design flexibility
- Reliable and dependable performance



Proven Solutions for:

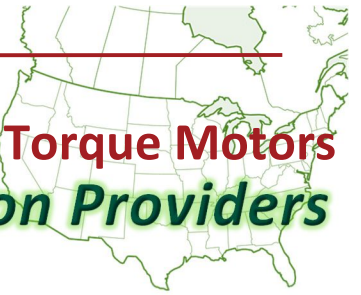
- Skid Steer Loaders / Sprayers
- Mini Excavators / Augers
- Trenchers/Grinders/Mixers
- Forestry Equipment / Sprayers
- Underground Boring Equipment
- Irrigation Reels
- Material Handling Equipment
- Large Turf Care Equipment

Please contact NAHI for additional information.

The above information should be used as a guide and is subject to change without notice.

Please contact NAHI for proper selection.

Low Speed High Torque Motors
Solution Providers



VIS - Valve-In-Star Motors - Low Speed High Torque Motors

Models	Displacement in ³ / cm ³	Max Speed rpm	Max Flow gpm	Max Pressure psi	Torque ft-lbs
VIS 40 Series Motors	19.8/325	454	45	5500	17421
	24.4/400	368	45	5500	14137
	30.7/505	293	45	5500	21919
	34.9/570	257	45	5500	24918
	38.5/630	233	45	5500	28000
	41.7/685	215	45	5500	28000
	48.0/785	187	45	4355	28000
	57.4/940	148	45	3621	28000
VIS 40 Series Motors In Two-speed Mode	In the low speed high torque (LSHT) mode, torque and speed value are equal to those of the conventional VIS 40 motor. In the high speed low torque (HSLT) mode, rotation speed is increased by fifty percent and torque output is reduced by one third. The motor will function with equal shaft output in either rotation direction (CW or CCW) in both LSHT and HSLT modes.				
VIS 45 Series Motors	38.6/630	284	50	5500	27530
	48.6/805	220	50	5500	32940
	60.5/990	183	50	5500	40269
	76.0/1245	143	50	4465	47592
	95.0/1560	115	50	3570	50000
VIS 45 Series Motors In Two-speed Mode	In the low speed high torque (LSHT) mode, torque and speed value are equal to those of the conventional VIS 45 motor. In the high speed low torque (HSLT) mode, rotation speed is increased by fifty percent and torque output is reduced by one third. The motor will function with equal shaft output in either rotation direction (CW or CCW) in both LSHT and HSLT modes.				

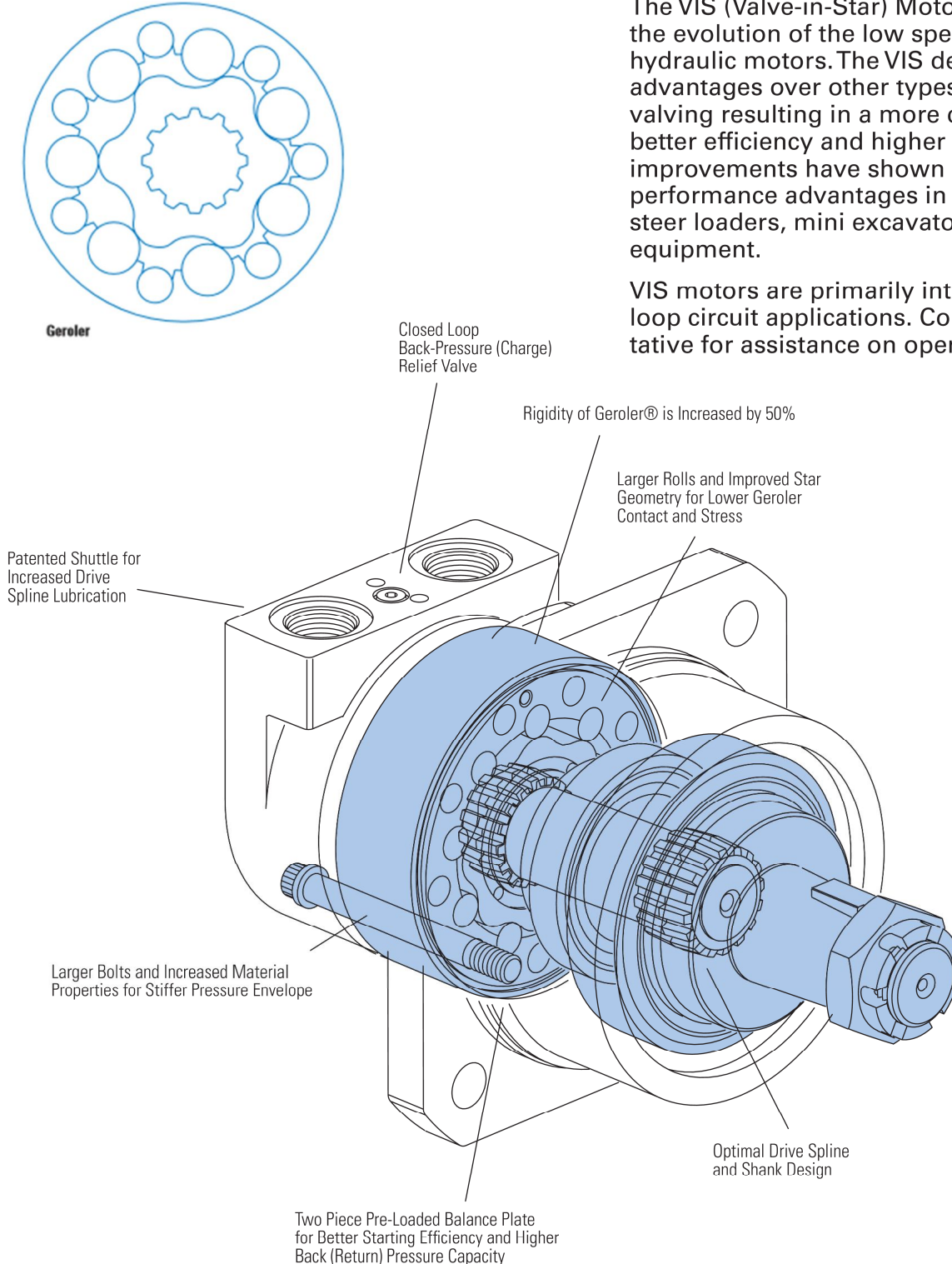
Other Products Offered by Eaton



Technical Details – VIS Motors

The VIS (Valve-in-Star) Motors are the next step in the evolution of the low speed high torque (LSHT) hydraulic motors. The VIS design provides design advantages over other types of LSHT hydraulic motor valving resulting in a more compact package with better efficiency and higher pressure capability. These improvements have shown significant packaging and performance advantages in applications such as skid steer loaders, mini excavators, trenchers and logging equipment.

VIS motors are primarily intended for use in closed loop circuit applications. Consult your Eaton representative for assistance on open loop circuit applications.





NORTH AMERICAN HYDRAULICS

North American Hydraulics, (NAHI, LLC), partnering with GearTek hydraulic gear pumps and motors.

Features and Options:

- Cast iron throughout
- Heavy duty sleeve type bearings
- Double viton@ shaft seals standard
- Pressure compensated thrust plates
- Designed for heavy duty applications
- Various shaft, flange and port options
- Precision gears machined from solid bar stock
- Compatible with most fire resistant fluids
- Contaminant resistant
- Computer designed and manufactured
- Quality certified

Proven Solutions for:

- Mobile Truck
- Construction
- Agricultural
- Road Milling
- Oil Industry
- Gas Industry

Please contact NAHI for additional information

The above information should be used as a guide and is subject to change without notice.

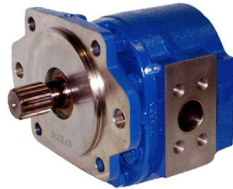
Please contact NAHI for proper selection.

Single, Tandem, or Triples
With Piggyback Options

C Series – SAE A or B Mounts



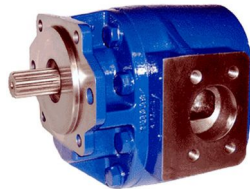
D Series – SAE B or C Mounts



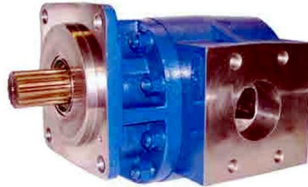
HD Series – SAE B or C Mounts



E Series – SAE C Mounts



F Series – SAE C Mounts



**Hydraulic Gear Pumps
Solution Providers**



C Series – Hydraulic Gear Single Pumps

Model	Displacement		Max Speed	Maximum Pressure	
	in ³	cc	rpm	psi	bar
C45	0.88	14.4	3600	3500	241
C65	1.27	20.8	3600		
C85	1.66	27.2	3400		
C100	1.96	32.1	3300	3000	207
C115	2.24	36.7	3100		
C150	2.93	48.1	2800	2500	172
C180	3.51	57.5	2500	2500*	
C200	3.90	63.9	2200	2500*	

* Application pressures may be limited to shaft type

D and HD Series – Hydraulic Gear Single Pumps

Model	Displacement		Max Speed	Normal Duty Pressure		Severe Duty Pressure		
	in ³	cc	rpm	psi	bar	psi	bar	
D15	HD15	2.98	48.8	2500	4000	276	3800	262
D20	-	3.97	65.1		3800	262	3000	207
-	HD20	3.97	65.1		4000	276	3800	262
D25	-	4.97	81.4		3000	207	2300	159
-	HD25	4.97	81.4		4000	276	3100	214
D30	-	5.96	97.6		2500	172	2000	138
-	HD30	5.96	97.6		3300	228	2600	179
D35	-	6.95	113.9		2500*	172	2000*	138
-	HD35	6.95	113.9		2900	200	2300	159
D40	-	7.95	130.2		2500*	172	2000*	138
-	HD40	7.95	130.2		2500*	172	2000	138
D45	HD45	8.94	146.5		2500*	172	2000*	138

* Application pressures may be limited to shaft type

E and F Series – Hydraulic Gear Single Pumps

Model	Displacement		Minimum rpm	Maximum rpm	Maximum Pressure		
	in ³	cc			psi	bar	
E30	-	5.98	98.0	600	2500	4000	276
E35	-	6.93	113.5			4000	276
E40	-	7.90	129.4			4000*	276
E45	F45	8.92	146.2			4000*	276
E50	-	9.86	161.6			3800*	262
-	F50	9.86	161.6			4000*	262
E55	F55	10.86	178.0			3400*	234
E66	-	13.17	215.6			2900*	200
-	F66	13.17	215.9			2900*	200
E77	-	15.20	249.2			2500*	172
-	F77	15.20	249.2			2750*	172
E85	F85	16.79	275.2			2250*	155
E95	-	18.91	309.8			2000*	138

* Application determines pressure





NORTH AMERICAN HYDRAULICS

North American Hydraulics, NAHI, LLC partnering with Geco, Hydrostatically Supported Axial Piston Fixed Displacement Motors.

Features and Benefits:

- High Max Speed of Rotation
- Low Minimum Speed of Rotation
- High Transmittable Power
- High Versatility of Employment
- High Division and Torque Reliability
- High Exercise Pressure
- High Maintainable Radial and Axial Loads
- High Volumetric and Mechanical Efficiency

Proven Solutions for:

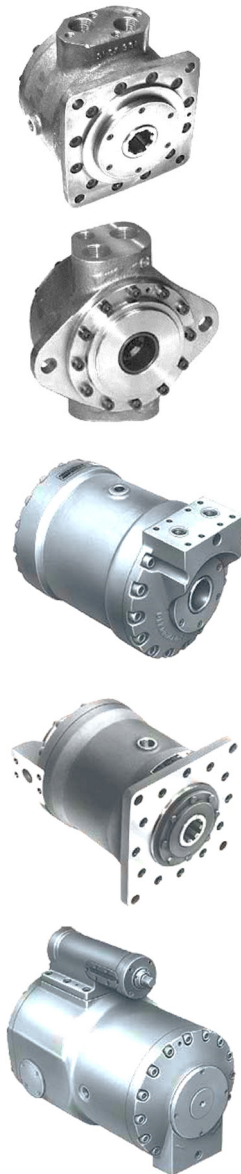
- Agricultural and Mining
- Heavy Iron and Steel
- Road & Railway
- Industrial Winches and Mixers
- Naval Transmissions
- Rubber Extrusion & Molding



Please contact NAHI for additional information.

The above information should be used as a guide and is subject to change without notice.

Please contact NAHI for proper selection.



**Axial Piston Motors
Solution Providers**



Fixed Displacement Motors							
Models	Displacement		Max Speed	Max Working Pressure psi	Max Peak Pressure psi	Torque ft-lbs	
	in ³	cm ³	rpm				
SF	050	3.0	49	10-500	1595	2030	72.3
	075	4.5	73	10-500			108.5
	100	6.0	98	10-500			144.6
	125	7.4	122	10-500			188.0
	150	8.9	146	10-500			217.0
	175	10.4	170	10-500			260.4
200	11.9	195	10-500	289.3			
SF	300	18.9	309	10-400	2030	2610	491.8
	350	21.7	355	10-400			571.4
	400	24.5	402	10-400			651.0
	450	27.3	448	10-300			723.3
	500	30.1	494	10-300			795.6
KF	80	5.1	83	5-1000	3045	3625	195.3
	100	6.8	112	5-1000			267.6
	150	8.6	141	5-1000			340.0
	200	13.4	219	2-900			528.0
	300	17.8	292	2-900			701.6
	450	27.1	444	2-800			1070.5
	700	41.4	679	2-700			1642.0
	1100	67.3	1103	1-400			2661.7
	1450	88.4	1448	1-400			3500.8
	2000	119.0	1950	1-300			4716.0
	2500	150.7	2470	1-250			5967.2
5000	289.9	4750	1-150	11486.0			
HF	100	6.3	103	10-2000	4640	6525	376.1
	200	12.5	205	10-1400			759.5
	300	19.8	325	10-1200			1200.7
	450	28.2	462	10-1100			1700.0
	600	35.9	588	10-1000			2170.0
700	41.0	671	10-950	2438.0			
KV	200	13.9	228	2-1000	3045	3625	549.7
	300	18.4	301	2-1000			723.3
	450	26.9	440	2-800			1048.8
	700	41.2	675	2-800			1627.4
	1100	67.3	1103	1-600			2661.7
	1450	88.4	1448	1-500			3500.8
	2000	119.0	1950	1-450			4715.9
	2800	168.1	2755	1-400			6661.6
5000	290.5	4760	1-300	11486.0			





NORTH AMERICAN HYDRAULICS

North American Hydraulics, (NAHI, LLC), partnering with GT Controls offering George & Thomas electrical joysticks for various applications.

Features and Benefits:

- High Quality
- Smooth Operations
- Die Cast
- Light Weight
- Rugged
- Small Dimensions
- Custom or Standard Solutions

Proven Solutions for:

- Construction Equipment
- Truck Driven Vehicles
- Utility Machines
- Forestry Applications
- Lifting Equipment
- Agricultural Machines
- Boom Mowers
- Hook Loaders



Please contact NAHI for additional information.

The above information should be used as a guide and is subject to change without notice.

Please contact NAHI for proper selection.

Electrical Joysticks Solution Providers



Joystick SK212 – Mobile Hydraulics

Electrical functions	Proportional / Analog Digital combined with proportional Center tap (optional) Single, redundant or dual redundant signals
Mechanical functions	Self-centering or friction brake, central locking Rigid, soft or without cross guidance Angle limiter
Technology	Hall effect sensors Adjustable operator present sensors Thumb wheels, push buttons, rocker switches
Dimensions	Mounting depth .78" Ø Housing 2.24" Ø Flange 2.83" Handle height 8.58"
Mounting	4 screws – M5 – Through hole
Operating angle	Up to 25°
Durability	More than 3 Million cycles
Operating voltage	Max 30 V DC
Interfaces	CANopen, J1939, USB
Connection	4-Pin Deutsch Plug, Cable
Temperature range	-22° ... +176°F
Protection class	Up to IP67 / NEMA 6



NAHI, LLC – CUSTOMER SERVICE • 225-751-0500 • www.nahi.com



NORTH AMERICAN HYDRAULICS

Variable & Fixed Displacement Axial Piston Pumps & Motors

Compact Design

Low Noise Level

High Power Density

High Rotation Speed

Multiple Pump Assemblies

<p>TPV 1000 Single Pump</p>	<p>TPV 1200 BTB Tandem Pump</p>	<p>TPV 1500 Single Pump</p>	<p>TPVTC 1500 Tandem Pump</p>
			
<p>TPV 3200 Single Pump</p>	<p>TPVT 3200 Tandem Pump</p>	<p>TPV 3600 Single Pump</p>	<p>TPVT 3600 Tandem Pump</p>
			
<p>TPV 4300 Single Pump</p>	<p>TPVT 4300 Tandem Pump</p>	<p>TPV 5000 Single Pump</p>	<p>TPVT 5000 Tandem Pump</p>
			
<p>TPV 9000 Single Pump</p>	<p>TMF 600 Motor</p>	<p>TMF 900 Motor</p>	<p>TMV 550 Motor</p>
			





NORTH AMERICAN HYDRAULICS

North American Hydraulics,
(NAHI, LLC), partnering with
Hansa-Tmp offering Variable
Displacement Closed Loop Axial
Piston Pumps.

Axial Piston Pumps Solution Providers



Variable Displacement Closed Loop Axial Piston Pumps

Model	Displacement cm ³ /n	Rated Pressure psi	Peak Pressure psi	Max Speed rpm	Charge Pump ccm	Shaft Output	Mounting Output	Through Drive Flanges (Input)	Through Drive Shafts (Input)	Wgt S or T lbs
TPV 1000 Single TPV1200 BTB Tandem	6, 8, 9, 11, 12, 13	3,045	4,350	3,600	3.9 4.7 5.4	9T – 16/32DP (SAE A) 11T – 16/32 (SAE AH)	SAE "A" 2B SAE "B" 2B	SAE "A" 2B	9T – 16/32DP (SAE A)	19-S 42-T
	15, 17		4,060							
	18		3,915							
	19, 21	2,900	3,625	3,200						
TPV 1500 Single TPVTC 1500 Tandem	17,18, 19, 21	5,075	5,800	3,600	5.8	13T – 16/32DP (SAE B)	SAE "B" 2B	SAE "A" 2B	9T – 16/32DP (SAE A)	31-S 51-T
TPV 3200 Single TPVT 3200 Tandem	21, 28	3,625	5,075	3,600	11.0	13T – 16/32DP (SAE B) 15T – 16/32DP (SAE BB)	SAE "B" 2B	SAE "A" 2B SAE "B" 2B	9T – 16/32DP (SAE A) 13T – 16/32DP (SAE B) 15T – 16/32DP (SAE BB)	48-S 100-T
TPV 3600 Single TPVT 3600 Tandem	26, 28, 30, 31, 32, 34, 36, 38	5,075	6,525	3,600	10.3	13T – 16/32DP (SAE B) 15T – 16/32DP (SAE BB)	SAE "B" 2B	SAE "A" 2B SAE "B" 2B	9T – 16/32DP (SAE A) 13T – 16/32DP (SAE B)	28-S 119-T
TPV 4300 Single TPVT 4300 Tandem	32, 38, 45, 50	3,625	5,057	3,600	14.0	15T – 16/32DP (SAE BB)	SAE "B" 2B	SAE "A" 2B SAE "B" 2B	9T – 16/32DP (SAE A) 13T – 16/32DP (SAE B)	51-S 110-T
TPV 5000 Single TPVT 5000 Tandem	46, 50, 64	4,350	5,800	3,600	13.0	13T – 16/32DP (SAE B) 15T – 16/32DP (SAE BB)	SAE "B" 2B	SAE "A" 2B SAE "B" 2B	9T – 16/32DP (SAE A) 13T – 16/32DP (SAE B) 15T – 16/32DP (SAE BB)	64-S 133-T
TPV 9000 Single	55	5,800	6,525	4,000	20.0 28.0	14T – 12/24DP (SAE C) 21T – 16/32DP (SAE CC) 23T – 16/32DP (SAE CC)	SAE "C" 4B	SAE "A" 2B SAE "B" 2B	9T – 16/32DP (SAE A) 13T – 16/32DP (SAE B)	150-S
	72			4,100						
	90			4,000						
	110			3,800						

Proven Solutions for:

- Construction Applications
- Utility Machines
- Material Handling Applications
- Agricultural Applications
- Forestry Applications

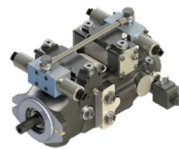
Please contact NAHI for additional information.

The above information should be used as a guide and is subject to change without notice.

Please contact NAHI for proper selection.



TPV 1000 Single



TPV 1200 BTB Tandem



TPV 1500 Single



TPVTC 1500 Tandem



TPV 3200 Single



TPVT 3200 Tandem



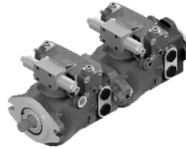
TPV 3600 Single



TPVT 3600 Tandem



TPV 4300 Single



TPVT 4300 Tandem



TPV 5000 Single



TPVT 5000 Tandem



TPV 9000 Single

NAHI, LLC – CUSTOMER SERVICE • 225-751-0500 • www.nahi.com



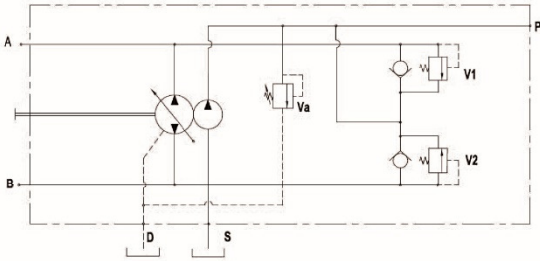
NORTH AMERICAN HYDRAULICS

Axial Piston Pumps Solution Providers

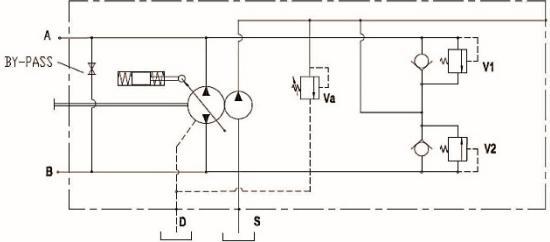


Controls - Options								
	1000	1200	1500	3200	3600	4300	5000	9000
CONTROLS								
Direct mechanical (own lever)	▪	▪		▪				
Direct manual lever	▪	▪		▪				
Direct manual level with return to zero	▪	▪		▪				
Manual lever w/feedback			▪	▪	▪	▪	▪	▪
Hydraulic servo-control (proportional)	▪	▪		▪	▪	▪	▪	▪
Hydraulic servo-control w/feedback			▪	▪	▪	▪	▪	▪
Electro servo 12V or 24V (proportional)	▪	▪		▪	▪	▪	▪	▪
Electro servo 12V or 24V w/feedback			▪	▪	▪	▪	▪	▪
Electric two position 12V or 24V			▪	▪	▪	▪	▪	▪
Automotive 12V or 24V			▪	▪	▪	▪	▪	▪
OPTIONS								
Lever bypass A&B	▪				▪			
Purge valve (hot oil shuttle)	▪			▪				▪
Screw by pass A&B	▪	▪	▪	▪			▪	▪
Lever by pass and purge (hot oil shuttle)	▪							
Flange SAE A2B to SAE B2B	▪	▪						
Shaft Coupling 9T to 13T	▪	▪						
Viton Seals		▪						▪
Man on board 12V or 24V		▪	▪	▪	▪	▪	▪	▪
Ported for external mounted filter				▪	▪	▪	▪	▪
On pump charge filter				▪	▪	▪	▪	▪
Swashplate angle sensor				▪	▪	▪	▪	▪
Pressure sensor				▪	▪	▪	▪	▪
RPM sensor				▪	▪	▪	▪	▪
Displacement adjustments	▪	▪	▪	▪	▪	▪	▪	▪
Power limiter								
Pressure cut off valve				▪	▪	▪	▪	▪
Hydraulic inching								▪
Mechanical inching								▪
Automotive hydraulic				▪	▪	▪	▪	▪

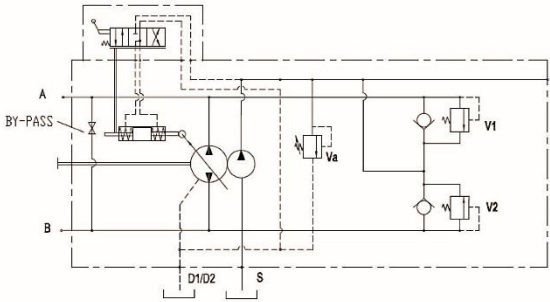
Manual Without Zeroing Control



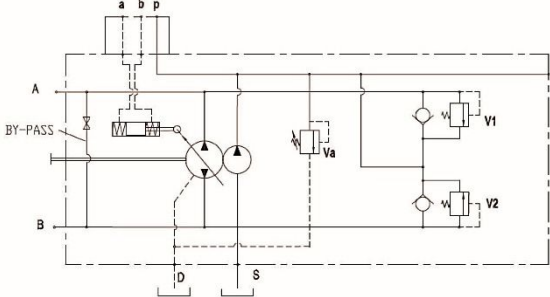
Manual With Zeroing Control



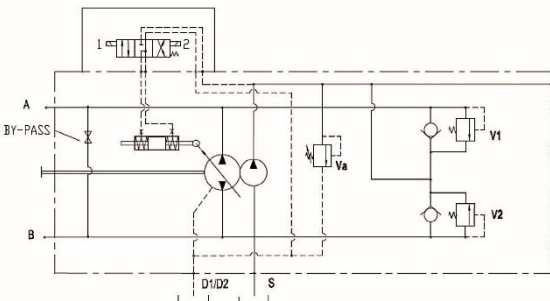
Manual Lever With Feed-Back Control



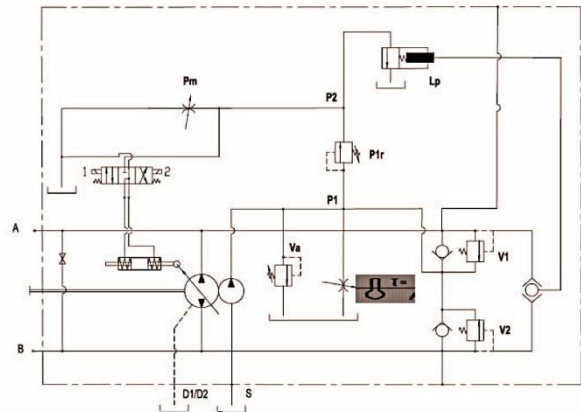
Hydraulic Proportional Without Feed-Back Control



Electric Two Position On-Off



Automotive Control



NAHI, LLC – CUSTOMER SERVICE • 225-751-0500 • www.nahi.com



Axial & Bent Axis Piston Motors Solution Providers

North American Hydraulics, (NAHI, LLC), partnering with Hansa-Tmp offering Fixed Displacement and Variable Displacement Axial and Bent Axis Piston Motors.

Features and Options:

- Compact Design
- Excellent Weight/Power Ratio
- High Pressure
- High Rotation Speed
- High Starting Torque
- Excellent Volumetric and Mechanical Efficiency
- Long Service Life

Proven Solutions for:

- Construction Applications
- Utility Machines
- Material Handling Applications
- Agricultural Applications
- Forestry Applications



Please contact NAHI for additional information.

The above information should be used as a guide and is subject to change without notice.

Please contact NAHI for proper selection.



TMF 600 - Fixed Displacement Motor

Displacement cm ³ /n	Rated Pressure psi	Peak Pressure psi	Maximum Speed rpm	Weight lb	Shaft Output	Mounting Output
22, 28	5,075	6,090	4,200	25	0.875"-13T 1.0"-15T 1.0"-Keyed	SAE A2B SAE B2B
35, 40, 46			4,000			
50		5,945	3,600	39	0.875"-13T 1.0"-15T 1.0"-Keyed	SAE B2B
63, 71, 75, 92		6,090	3,500			
100		5,945	3,240	72	1.25"-14T 1.50"-17T 1.50"-Keyed	SAE C4B

TMF 900 - Fixed Displacement Motor

Displacement cm ³ /n	Rated Pressure psi	Peak Pressure psi	Maximum Speed rpm	Weight lb	Shaft Output	Mounting Output
72	5,800	6,525	4,100	62	1.375"-21T	SAE C4B
90			4,000			
110			3,800	75		

TMV 550 - Variable Displacement Motor

Displacement cm ³ /n	Rated Pressure psi	Peak Pressure psi	Maximum Speed rpm	Weight lb	Shaft Output	Mounting Output
46 / 23	4,350	5,800	3,600	44	0.875"-13T 1.0"-15T	SAE B2B
50 / 25						
64 / 32						
Note: Controls		Hydraulic servo-control; Electric 12V or 24V				

TMB 700 - Fixed Displacement Bent Axis Piston Motor

Displacement cm ³ /n	Rated Pressure psi	Peak Pressure psi	Maximum Speed rpm	Weight lb	Shaft Output	Mounting Output
12.6, 17.6	5,075	5,800	7,500	20	0.875"-13T	SAE B2B SAE B4B
25.4, 34.2			5,000			
41.2, 47.1, 56.0, 63.6			5,300	33	1.375"-21T	SAE C4B
83.6, 90.7			4,400	40		
108.0, 130.0			4,200	77		
Shaft Output: 1.25"-14T – Available for Displacements 25.4, 34.2, 41.2, 47.1, 56.0, 63.6, 83.6						
Mounting Output: SAE C4B – Also available for Displacements 25.4, 34.2						

Other Products Offered by Hansa - Tmp
Variable Displacement Closed Loop Axial Piston Pumps

Compact Design

Low Noise Level

High Power Density

High Rotation Speed

Multiple Pump Assemblies





NORTH AMERICAN HYDRAULICS

North American Hydraulics, (NAHI, LLC), partnering with Heavy Motions a global supplier of high-quality hydraulic products for mobile applications.

Gear Pumps / Motors Solution Providers



Gear Pumps

Heavy Motions Part Number	Cubic Inch	Gear Size	GPM	Max Pressure (psi)	Flange	Shaft	Rear Ports	Side Ports
H21 (Bi-rotational)								
H2B6B14SC21DI	1.97	1"	8.5	3000	2x4 B	7/8 - 13 tooth	1" ORB	Blank
H2B6B14SD21DI	2.46	1-1/4"	10.6	3000	2x4 B	7/8 - 13 tooth	1" ORB	1" ORB
H2B6B14SE21DI	2.95	1-1/2"	12.8	3000	2x4 B	7/8 - 13 tooth	1" ORB	1" ORB
H2B6B14SF21DI	3.44	1-3/4"	14.9	2500	2x4 B	7/8 - 13 tooth	1" ORB	1-1/4" ORB
H2B6B14SG21DI	3.94	2"	17	2500	2x4 B	7/8 - 13 tooth	1" ORB	1-1/4" ORB
H35 (Counter clockwise)								
H35L4B14SF21D1	4.46	1-3/4"	19.4	3000	4 B	7/8 - 13 tooth	1" x 1-1/2" SF	Blank
H51 (Bi-rotational)								
H5B6B14SI10DILB	6.375	2-1/2"	27.8	2500	2x4 B	7/8 - 13 tooth	1-1/4" ORB	Blank
H55 (Bi-rotational)								
H55B4B14SI26DI	6.375	2-1/2"	27.8	2500	4 B	7/8 - 13 tooth	1-1/4" ORB	Blank
H7 (Counter clockwise)								
H7L4C20KH20DIDV	9.22	2-1/4"	39.4	2500	4 C	1-1/4" keyed	#12 ORB	1-1/4"x2" SF

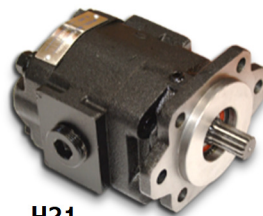
Proven Solutions for:

- Mobile Truck
- Construction
- Agricultural
- Road Milling
- Oil Industry
- Gas Industry

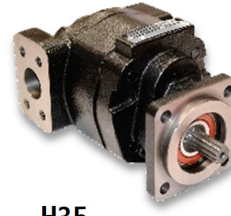
Please contact NAHI for additional information.

The above information should be used as a guide and is subject to change without notice.

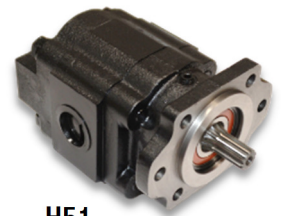
Please contact NAHI for proper selection



H21



H35



H51



H55



H7



your source for your mobile hydraulic needs

NAHI, LLC – CUSTOMER SERVICE • 225-751-0500 • www.nahi.com



NORTH AMERICAN HYDRAULICS

North American Hydraulics, (NAHI, LLC), partnering with Hetricon offering high performance innovative radio remote control systems.

Features and Benefits:

- Exclusive Multiple-Frequency Sharing H-Link (MFSHL) technology developed for automatic frequency management and user configuration of control settings.
- Up to 20 transmitters operated in close proximity sharing the same frequency.
- H-Link provides the ability to change or customize system settings and parameters at a distance and on the fly.

Proven Solutions for:

- Construction / Cranes / Drilling
- Forestry / Agriculture / Mining
- Service Trucks / Concrete Pumps
- Locomotive / Railway / Marine
- Material Handling / Oil & Gas
- Mobile Hydraulics



Please contact NAHI for additional information.

The above information should be used as a guide and is subject to change without notice.

Please contact NAHI for proper selection.

Remote Controls Solution Providers

WE'RE NOT JUST CREATING REMOTE CONTROLS,
WE'RE CREATING A SAFER WORKPLACE.



Transmitters

Belly Packs	Harness Style	One Hand Button	Ergo Series	Ergo Series / MFSHL	H-Touch
Nova-S	Euro	HH-2	Ergo F-21	Pocket MFSHL	H-Touch
Nova-L		HH-1	Ergo 120	Ergo MFSHL	Nova XL 2.8
Nova-XXL	GR Euro	TG Transmitter Mini	GL/GL-3 Transmitter	Ergo F MFSHL	Nova EX Transmitter (Explosion Proof)

Receivers

MFSHL Programmable RX	HL Series RX	RX Series	Serial Communication	Ex Receivers



NAHI, LLC – CUSTOMER SERVICE • 225-751-0500 • www.nahi.com

North American Hydraulics, (NAHI, LLC), partnering with Hydro Control, world leaders in the production of hydraulic valves for mobile machinery.

Features and Benefits:

- Quick prompt response rate
- Accurate and stable and not affected by the most diverse operating conditions
- Simultaneous functions never mutually influenced
- Increased energy saving and guaranteed top efficiency levels
- Wide range of available options
- Compact dimensions
- Side by side pre-compensated section with post-compensated section

Proven Solutions for:

- Telehandlers
- Mini-excavators
- Medium and Large Sized Backhoe Loaders
- Forestry Cranes
- Truck Cranes



Please contact NAHI for additional information

The above information should be used as a guide and is subject to change without notice.

Please contact NAHI for proper selection.

Flow Sharing Load Sensing Valves Solution Providers



EX38



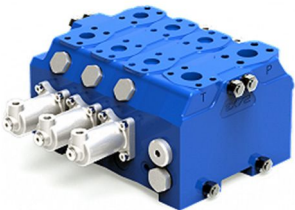
EX46



EX54



EX72



Flow Sharing Load Sensing Valves

GENERAL SPECIFICATIONS	EX38	EX46	EX54	EX72
Working section number	1-10	1-10	1-8	1-8
CIRCUIT				
Spool stroke (mm)	7	7	9	11
Spool pitch (mm)	38	46	54	72
RATED FLOW				
Pump flow rate (l/min)	150	220	300	450
A/B port flow rate (l/min) (*)	100	180	250	350
RATED PRESSURE				
Working pressure inlet port P (bar)	350	350	350	350
BACK PRESSURE MAX				
Max pressure outlet port T (bar)	10	10	10	10
(*) with fixed Pump Inlet compensator				
OPTION CHART	EX38	EX46	EX54	EX72
LS Signal pressure relief valve	•	•	•	•
Pump pressure relief valve	•	•	•	•
LS Signal dump valve (electric 12/24 Vdc)	•	•	•	•
Pump dump valve (electric 12/24 Vdc)	•	•		
SPOOLS TYPE				
Single acting	•	•	•	•
Double acting	•	•	•	•
Float spool	•	•	•	•
SPOOL ACTUATION				
Hydraulic actuation	•	•	•	•
Mechanical lever actuation	•	•	•	
Mechanical cloche actuation	(•)			
Prop. Electrohydraulic actuation 12-24 Vdc (*)	•	•	•	•
ON/OFF electrohydraulic actuation 12-24 Vdc (*)	•	•	•	•
CAN BUS interface actuation	*1	*1	*1	•
SPOOL RETURN ACTION				
Return spring	•	•	•	•
Mechanical detent	•	•		
Pneumatic control	•	•		
Spools displacement sensor (HLPS)	•	•	•	•
PORT RELIEF VALVE				
Direct operated antishock valve			•	•
Anticavitation valve	•	•	•	•
Pilot operated combined valve			•	•
Direct operated combined valve (fixed setting)	•	•		
Plug	•	•	•	•
*1 in development				
• available				
(•) available on request				
(*) we recommend to keep the T line for the electrohydraulic cartridges separate from the T line of the valve				



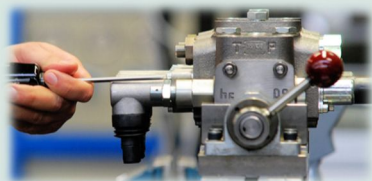
North American Hydraulics, (NAHI, LLC), partnering with Hydro Control, world leaders in the production of hydraulic valves for mobile machinery.

Features and Benefits:

- A large number of options and solutions make the Monoblock Valve a very flexible product:
- Floating function is possible on the standard body
- Available direct electric control push-push type
- Available special circuits for stabilizers applications
- Fork lift set up with potentiometer and microswitches

Proven Solutions for:

- Cranes and Aerial Platforms
- Agricultural Machines
- Mini Skid Loaders
- Mini Dumpers
- Forklifts



Please contact NAHI for additional information

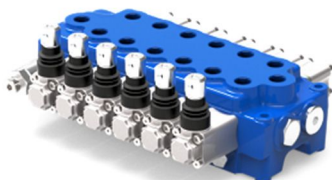
The above information should be used as a guide and is subject to change without notice.

Please contact NAHI for proper selection.

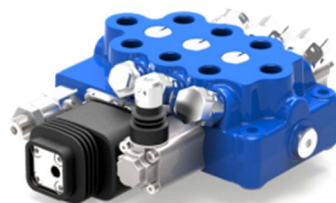
M45



M50



TR55




**Monoblock Valve
Solution Providers**



Monoblock Valves			
GENERAL SPECIFICATIONS	M45	M50	TR55
Working section number	1-6	1-7	1-7
CIRCUIT			
Parallel	•	•	•
Tandem		•	
Parallel circuit stroke (mm)	5	5.5	5
Float spool extra stroke (mm)	4	4.5	4.5
Spools pitch (mm)	35	35	36
RATED FLOW			
Max recommended flow rate (l/min)	45	50	50
Max recommended flow rate (GPM)	12	15	15
RATED PRESSURE			
Max working pressure (bar)	350	350	350
Max working pressure (PSI)	5000	5000	5000
OPTION CHART	M45	M50	TR55
Direct acting pressure relief valve	•	•	•
Clamping valve			(*)
Externally piloted valve	(*)	(*)	
Solenoid dump valve (12 Vdc)	(*)	(*)	
Solenoid dump valve (24 Vdc)	(*)	(*)	
SPOOL ACTUATION			
Manual control	•	•	•
Without lever	•	•	•
90° joystick control	•	•	•
Hydraulic control		•	•
Direct electric control (12-24 Vdc)		•	
SPOOL RETURN ACTION			
Return spring	•	•	•
Detent in A - in B - in A/B	•	•	•
Detent in 4 th position	•	•	•
Arrangement for dual control	•	•	•
Hydraulic load limit	•	•	•
Pneumatic control ON - OFF	•	•	•
Proportional pneumatic control	•	•	•
Electrical load limit	•	•	•
Electrohydraulic control ON-OFF (12-24 Vdc)	•	•	•
Electrohydraulic control PROP. (12-24 Vdc)	•	•	•
Electropneumatic control (12-24 Vdc)	•	•	•
AUXILIARY VALVES			
Valves on port		•	•
(*) the application requires special machining in the body			



North American Hydraulics, (NAHI, LLC), partnering with Hydro Control, world leaders in the production of hydraulic valves for mobile machinery.

Features and Benefits:

- Ideal for mini-excavators between 1 ton and 2.5 tons. Can be equipped with:
 - A 2 or 3 pumps circuit
 - Flow addition on PTO function
 - Second travel speed
 - Flow addition on the boom
 - Flow addition on the bucket
 - Flow addition on the arm
 - Straight travel
 - Built in boom anti-drift

Proven Solutions for:


- Mini-backhoe loaders
- Mini-excavators
- Skid-steer loaders
- Mini skid loaders
- Mini-dumpers
- Forestry machine



Please contact NAHI for additional information

The above information should be used as a guide and is subject to change without notice.

Please contact NAHI for proper selection.



**Sectional Valves
Solution Providers**



D9
Sections Number: 1 – 12
Flow: 10 GPM
Pressure: 5000 PSI
Spool Pitch: 31 mm



D3M
Sections Number: 1 – 12
Flow: 15 GPM
Pressure: 5000 PSI
Spool Pitch: 38 mm



DVS10
Sections Number: 1 – 12
Flow: 12 GPM
Pressure: 5000 PSI
Spool Pitch: 35 mm



D4
Sections Number: 1 – 12
Flow: 22 GPM
Pressure: 5000 PSI
Spool Pitch: 40 mm



D6
Sections Number: 1 – 12
Flow: 27 GPM
Pressure: 5000 PSI
Spool Pitch: 46 mm



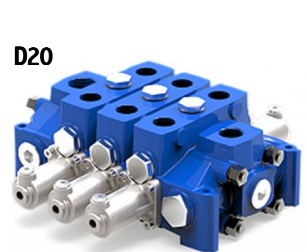
D16
Sections Number: 1 – 12
Flow: 40 GPM
Pressure: 5000 PSI
Spool Pitch: 46 mm



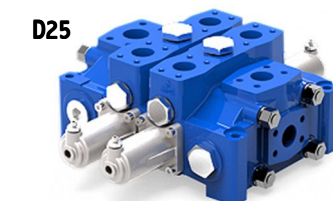
D12
Sections Number: 1 – 12
Flow: 48 GPM
Pressure: 5000 PSI
Spool Pitch: 56 mm



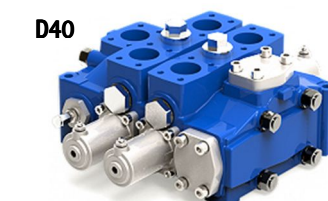
DVS20
Sections Number: 1 – 12
Flow: 67 GPM
Pressure: 5000 PSI
Spool Pitch: 56 mm



D20
Sections Number: 1 – 12
Flow: 67 GPM
Pressure: 5000 PSI
Spool Pitch: 64 mm



D25
Sections Number: 1 – 12
Flow: 100 GPM
Pressure: 5000 PSI
Spool Pitch: 74 mm



D40
Sections Number: 1 – 10
Flow: 185 GPM
Pressure: 3600 PSI
Spool Pitch: 91 mm

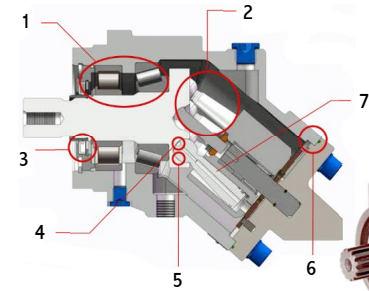


Sectional Valves											
GENERAL SPECIFICATIONS	D9	D3M	DVS10	D4	D6	D16	D12	DVS20	D20	D25	D40
Working section number	1-12	1-12	1-12	1-12	1-12	1-12	1-12	1-12	1-12	1-12	1-10
CIRCUIT											
Parallel	•	•	•	•	•	•	•	•	•	•	•
Series	•	•	•	•	•	•	•	•	•	•	•
Tandem	•	•	•	•	•	•	•	•	•	•	•
Parallel circuit stroke (mm)	6	5	6	6	7	7	9.5	9.5	9.5	12	15
Series circuit stroke (mm)	6	5	6	6	5	7	6.5	6.5	6.5	8.5	
Float spool extra stroke (mm)	5	5	5	5.5	6	7	7	7	7	9.5	10
Spools pitch (mm)	31	38	35	40	46	46	56	56	64	75	91
RATED FLOW											
Max recommended flow rate (l/min)	35	55	45	80	100	150	180	250	250	380	700
Max recommended flow rate (GPM)	10	15	12	22	27	40	48	67	67	100	185
RATED PRESSURE											
Max working pressure (bar)	350	350	350	350	350	350	350	250	350	350	350
Max working pressure (PSI)	5000	5000	5000	5000	5000	5000	5000	4000	5000	5000	5000
OPTION CHART											
	D9	D3M	DVS10	D4	D6	D16	D12	DVS20	D20	D25	D40
Direct acting pressure relief valve	•	•	•	•	•	•	•	•	•	•	•
Pilot operated pressure relief valve		•		•	•	•	•	•	•	•	•
2 stage pilot operated relief valve		•		•	•	•	•		•	•	•
Externally piloted valve	•	•	•	•	•	•	•		•	•	•
Solenoid dump valve (12 Vdc)	•	•	•	•	•	•	•				
Solenoid dump valve (24 Vdc)	•	•	•	•	•	•	•				
Main anticavitation check valve		•		•	•	•	•	•	•	•	•
Clamping valve		•	•	•							
SPOOL ACTUATION											
Manual control	•	•	•	•	•	•	•	•	•	•	•
Without lever	•	•	•	•	•	•	•	•	•	•	•
90° joystick control		•	•	•	•	•	•				
Hydraulic control	•	•	•	•	•	•	•	•	•	•	•
Direct electric control (12-24 Vdc)		•		•							
SPOOL RETURN ACTION											
Spring return	•	•	•	•	•	•	•	•	•	•	•
Detent in A - in B - in A/B	•	•	•	•	•	•	•	•	•	•	•
Detent in 4 th position	•	•	•	•	•	•	•	•	•	•	•
Arrangement for dual control	•	•	•	•	•	•	•	•	•	•	•
Hydraulic load limit	•	•		•	•	•					
Pneumatic control ON - OFF		•	•	•	•	•	•	•	•	•	•
Proportional pneumatic control		•	•	•	•	•	•	•	•	•	•
Electrical load limit	•	•		•	•	•					
Electrohydraulic control ON-OFF (12-24 Vdc)		•	•	•	•	•	•	•	•	•	•
Electrohydraulic control PROP. (12-24 Vdc)		•	•	•	•	•	•	•	•	•	•
Electropneumatic control (12-24 Vdc)		•	•	•	•	•	•		•	•	•
AUXILIARY VALVES											
Antishock valve	•	•	•	•	•	•	•	•	•	•	•
Anticavitation valve	•	•	•	•	•	•	•	•	•	•	•
Combined valve	•	•	•	•	•	•	•	•	•	•	•
Pilot combined valve					•			•	•	•	•



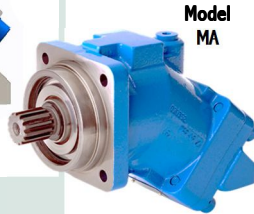
NORTH AMERICAN HYDRAULICS

North American Hydraulics, (NAHI, LLC), partnering with Hydro Leduc hydraulic motors.



Features and Options:

- 1 High performance bearings give longer service life
- 2 No gears between swashplate and rotating barrel means reduced noise levels
- 3 Sealing designed specifically to withstand back pressure from the motor return drain circuit
- 4 Injection of high pressure on piston heads reduces friction, heat and wear
- 5 Mechanical connection between piston head and motor shaft guarantees no separation (motor cavitation)
- 6 Design and manufactured with motor barrel and valve plate automatically aligned. Yields longer service life (no mechanical stress)
- 7 Seven piston design, ensuring excellent operating regularity and constant torque



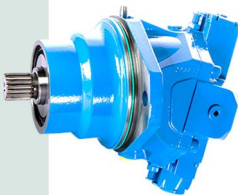
Model MA



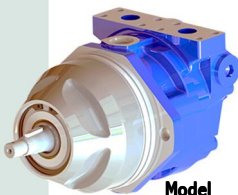
Model MSI



Model MVA SAE



Model MVA ISO



Model MT

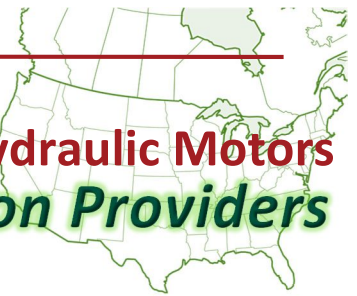
Please contact NAHI for additional information

The above information should be used as a guide and is subject to change without notice.

Please contact NAHI for proper selection.



**Hydraulic Motors
Solution Providers**



MA Series – SAE Flanged Bent Axis Fixed Motors

Models	Displacement		Max Speed rpm	Max Pressure psi	Output Flange	Output Shaft
	in ³	cc				
10	0.62	10.2	8800	6525	SAE B2B	7/8"-13T or 1" keyed
12	0.73	12.0	8800			
18	1.10	18.0	8800			
25	1.52	24.9	6900		SAE C4B	1.25"-14T or 1.25" keyed
32	1.96	32.1	6900			
41	2.51	41.1	6200			
45	2.77	45.4	5500			
50	3.07	50.3	5500			
63	3.84	63.0	5500			
80	4.91	80.4	5000			
90	5.49	90.0	5000	SAE D4B	1.75"-13T or 1.75" keyed	
108R	6.61	108.3	4500			
125	7.65	125.4	4500			
160	9.76	160.0	4000			
180	11.02	180.6	4000			

MSI Series – Cartridge Bent Axis Fixed Motors

Models	Displacement		Max Speed rpm	Max Pressure psi	Output Flange Pilot	Output Shaft	
	in ³	cc					
28	1.69	27.7	6900	6525	Ø135	W30	
32	1.96	32.1	6900				
41	2.51	41.1	6200		Ø150	W30	
50	3.07	50.3	5500				
63	3.84	63.0	5500				
80	4.91	80.4	5000		Ø190	W40/W35	
90	5.49	90.0	5000				
108	6.61	108.3	4400		Ø200	W40/W35	
108 R	6.61	108.3	4500				
125	7.65	125.4	4500		Ø200	W40	
						Ø200	W45/W40

MV and MVA Series – Variable Displacement Motors

Model	Displacement (min to max)		Max Speed rpm	Max Pressure psi	Output Flange Pilot	Output Shaft
	in ³	cc				
85 SAE	1.71 to 5.20	28.1 to 85.2	3900 to 6800	6525	SAE C4B	1.25"-14T
85 ISO*					Ø190	W40
115 SAE	4.82 to 7.05	79.0 to 115.8	3550 to 5600		SAE D4B	1.75"-13T
115 ISO*					Ø200	W40

9-piston design, 3 choices of displacement controls (HPA, H2N, E2N), min & max displacement adjustments.

* Cartridge (Plug In) Version

MT Inline Cartridge Motor

Model	Displacement		Max Speed rpm	Max Pressure psi	Output Flange Pilot	Output Shaft
	in ³	cc				
45	2.75	45.1	4200	300	Ø135	tapered keyed



make it simple

NAHI, LLC – CUSTOMER SERVICE • 225-751-0500 • www.nahi.com

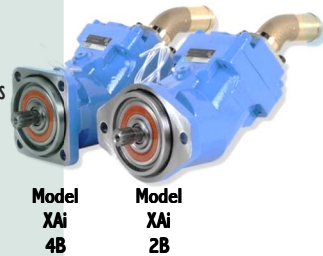


NORTH AMERICAN HYDRAULICS

North American Hydraulics, (NAHI, LLC), partnering with Hydro Leduc hydraulic pumps.

Features and Options:

- Compact size
- Pump automatically sets to required direction of rotation
- High mechanical resistant materials
- Reinforced sealing
- Relatively high rotating speeds with seven pistons
- Plate barrel synchronization
- Dual direction of rotation

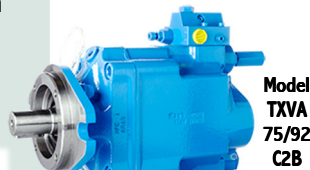


Model XAi 4B

Model XAi 2B

Proven Solutions for:

- Material Handling / Construction
- Utility Machines / Agriculture
- Forestry / Marine



Model TXVA 75/92 C2B



Model TXVA 75/92 C4B



Please contact NAHI for additional information

The above information should be used as a guide and is subject to change without notice.

Please contact NAHI for proper selection.

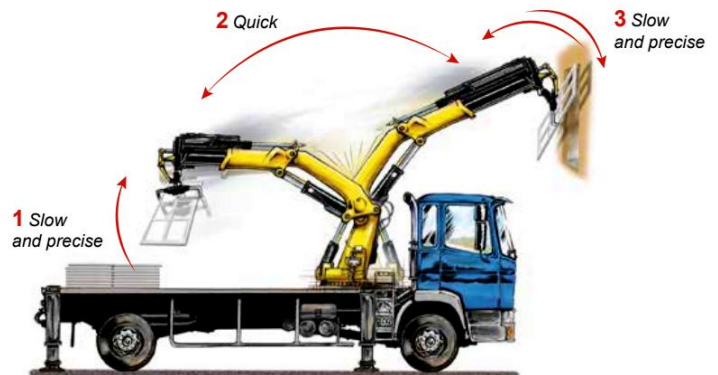


XAi Series Intelligent Pumps – Fixed Displacement Bent Axis Design

Model	Displacement		Rated Pressure psi	Peak Pressure psi	Max Speed rpm	Shaft Output	Mounting Output	Wgt lbs
	in ³	cc						
XAi 18	1.10	18.0	5,510	6,090	2,900	SAE B2B or SAE B4B	7/8"-13T	22.5
XAi 25	1.52	25.0			2,750			
XAi 32	1.95	32.0			2,700			
XAi 41	2.50	41.0			2,550			
XAi 50	3.07	50.3			2,450	SAE B4B	1"-15T	
XAi 63	3.84	63.0			2,300			

TXVA Series Pumps with Load Sensing Control – SAE Version

Model	Displacement in ³	Rated Pressure psi	Peak Pressure psi	Max Speed rpm	Shaft Output	Mounting Output	Wgt lbs
TXVA 92	5.60	5,500	5,800	1,900			



make it simple



NORTH AMERICAN HYDRAULICS

North American Hydraulics, (NAHI, LLC), partnering with Indexator Rotator Systems, AB who is a world-leader in manufacturing professional duty hydraulic rotators and swivels for demanding applications.

Features and Options:

- Compact design providing an overall shorter package
- Manufactured using the highest quality materials for higher productivity and overall reliability
- Hydraulically balanced for longer service life
- For use with various types of grapples and attachments

Proven Solutions for:

- Cranes
- General Cargo Handling
- Excavators
- Forwarders
- Scrap Metal Handling
- Recycle Industry
- Timber Handling



Please contact NAHI for additional information on Hydraulic Swivels, Links and Swing Dampers

The above information should be used as a guide and is subject to change without notice.

Please contact NAHI for proper selection.

GV3



GV4



GV6



GV12



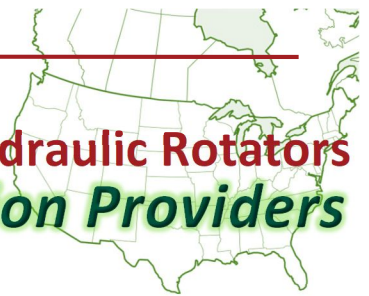
GV14



GV17

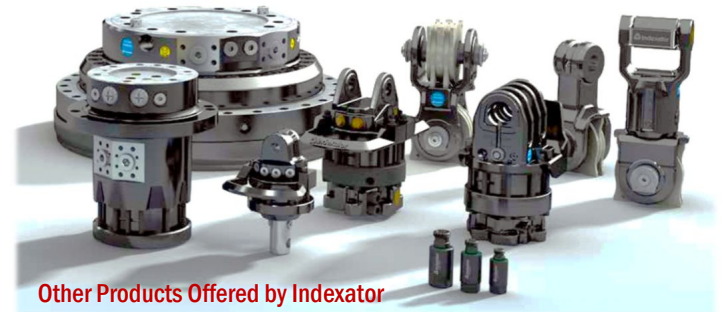
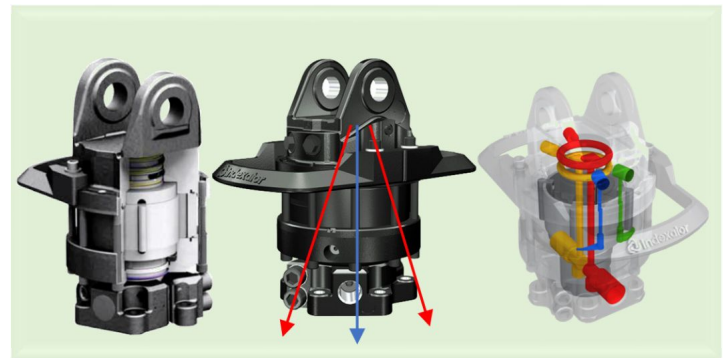


Hydraulic Rotators Solution Providers



GV Series – Hydraulic Rotators

Type	Max Axial Load (Static) lbs	Max Axial Load (Dynamic) lbs
GV3	6,800	2,810
GV4	10,100	5,620
GV6	13,500	5,620
GV12	22,500	11,240
GV14	22,500	11,240
GV17	36,000	11,240



Other Products Offered by Indexator



Heavy-duty rotators
for demanding jobs and environments

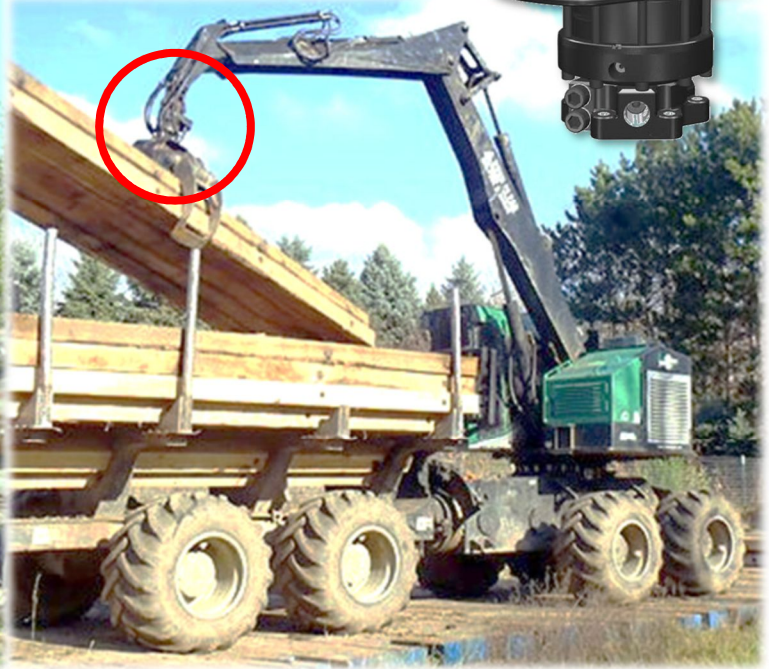
NAHI, LLC – CUSTOMER SERVICE • 225-751-0500 • www.nahi.com



NORTH AMERICAN HYDRAULICS

GV Rotators

Solution Providers



NAHI, LLC – CUSTOMER SERVICE • 225-751-0500 • www.nahi.com



NORTH AMERICAN HYDRAULICS

North American Hydraulics, (NAHI, LLC), partnering with Indexator Rotator Systems, AB who is a world-leader in manufacturing professional duty hydraulic rotators and swivels for demanding applications.

Features and Options:

- Compact design providing an overall shorter package
- Manufactured using the highest quality materials for higher productivity and overall reliability
- Hydraulically balanced for longer service life
- For use with various types of grapples and attachments

Proven Solutions for:

- Cranes
- General Cargo Handling
- Excavators
- Forwarders
- Scrap Metal Handling
- Recycle Industry
- Timber Handling

Please contact NAHI for additional information on Hydraulic Swivels, Links and Swing Dampers

The above information should be used as a guide and is subject to change without notice.

Please contact NAHI for proper selection.



IR-10-5-M20 IR-10-M16



IR-10-M20 IR-10M-M20



IR-10HT-M16 IR-12



IR-12-A IR-12-AV



IR-12-L IR-12-X



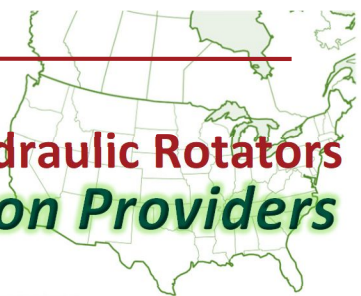
IR-12-XA IR-20-5-M24 IR-20-M20 IR-20-M24 IR-20M-M20



IR-20M-M24 IR-22 IR-22-X IR-22-X2 IR-25



**Hydraulic Rotators
Solution Providers**



IR Series – Hydraulic Rotators			
Type	Part Number	Max Axial Load (Static) ± lbs	Max Axial Load (Dynamic) ± lbs
IR-10-5-M20	8000-244	56,200	15,700
IR-10-M16	8000-307		
IR-10-M20	8000-309		
IR-10M-M20	8000-308		
IR-10HT-M16	8000-305		
IR-12	8000-614		
IR-12-A	8010-003		
IR-12-AV	8000-265		
IR-12-L	8000-613		
IR-12-X	8000-615		
IR-12-XA	8000-656	101,100	33,700
IR-20-5-M24	8000-486		
IR-20-M20	8000-509		
IR-20-M24	8000-513		
IR-20M-M20	8000-508		
IR-20M-M24	8000-512		
IR-22	8000-714		
IR-22-X	8000-715	101,100	44,900
IR-22-X2	8000-755		
IR-25	8000-980		



Heavy-duty rotators
for demanding jobs and environments

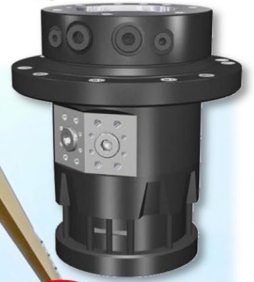
NAHI, LLC – CUSTOMER SERVICE • 225-751-0500 • www.nahi.com



NORTH AMERICAN HYDRAULICS

IR Rotators

Solution Providers



NAHI, LLC – CUSTOMER SERVICE • 225-751-0500 • www.nahi.com



NORTH AMERICAN HYDRAULICS

North American Hydraulics, (NAHI, LLC), partnering with Indexator Rotator Systems, AB who is a world-leader in manufacturing professional duty hydraulic rotators and swivels for demanding applications.

Features and Options:

- Compact and well-protected design
- Extreme torque direct drive vane motor without gearing
- Powerful slew bearings handle radial and axial forces, forced rotation, both positive and negative
- Patented torque transfer for unbeatable long service life
- Quick service due to modular concept

Proven Solutions for:

- Cranes
- General Cargo Handling
- Excavators
- Forwarders
- Scrap Metal Handling
- Recycle Industry
- Timber Handling

Please contact NAHI for additional information on Hydraulic Swivels, Links and Swing Dampers

The above information should be used as a guide and is subject to change without notice.

Please contact NAHI for proper selection.



XR300-LS
XR300-T-LS



XR400
XR400-C
XR400-I
XR400-P



XR400-HT-P-AV



XR400-T



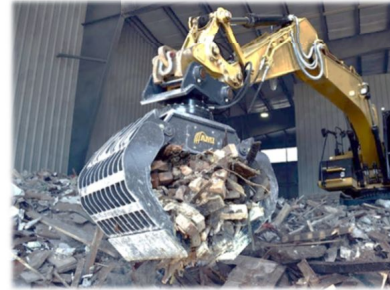
XR500
XR500-C



XR600
XR600-C



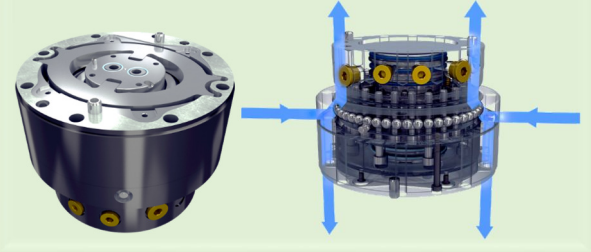
Hydraulic Rotators Solution Providers



XR Series – Extreme Application Hydraulic Rotator

Type	Part Number	Max Axial Load (Static) lbs	Max Axial Load (Dynamic) lbs	Max Radial Load (Dynamic) lbs
XR 300-LS	8300-003	67,500	20,200	15,700
XR 300-T-LS	8300-006			
XR-400	8400-003	123,600	45,000	31,500
XR-400-C	8400-015			
XR-400-HT-P-AV	8400-023			
XR-400-I	8400-009			
XR-400-P	8400-014			
XR-400-T	8400-012	157,400	56,200	40,500
XR-500	8500-000			
XR-500-C	8500-001			
XR-600	8600-000	191,100	61,500	45,000
XR-600-C	8600-001			

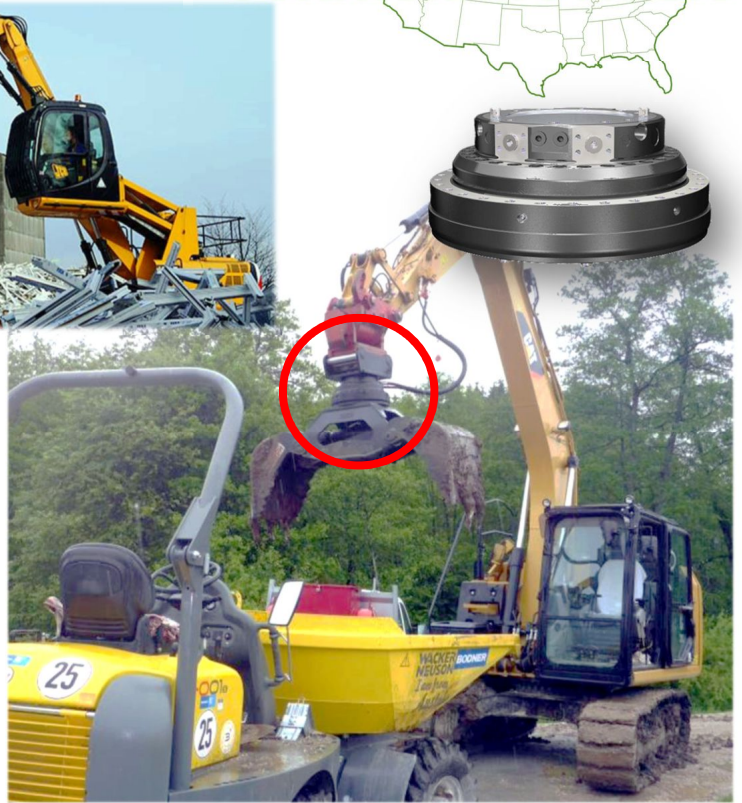
External Forces are Not Transferred to the Motor or Swivel



Heavy-duty rotators
for when the going gets extra tough

NAHI, LLC – CUSTOMER SERVICE • 225-751-0500 • www.nahi.com

XR Rotators





NORTH AMERICAN HYDRAULICS

North American Hydraulics, (NAHI, LLC), partnering with Indexator Rotator Systems, AB who is a world-leader in manufacturing professional duty hydraulic rotators and swivels for demanding applications.

Features and Options:

- Free and continuous rotation even at extreme pressure spikes reduces the risk of ruptured hoses
- Handles with no pressure losses high working pressure over long periods
- Extends the service life of hydraulic hoses
- Straighter shorter hoses with more secure hose routing
- High corrosion and wear resistant surface treatment
- Dirt and water-resistant seals

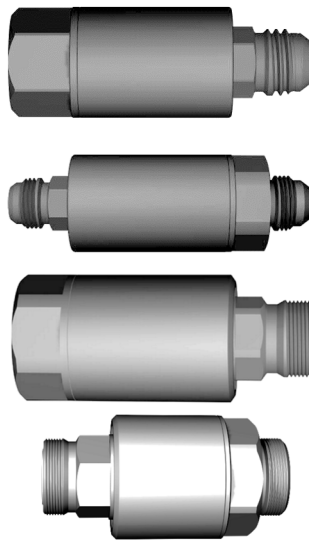
Proven Solutions for:

- Cranes
- General Cargo Handling
- Excavators

Please contact NAHI for additional information on Rotators, Links and Swing Dampers

The above information should be used as a guide and is subject to change without notice.

Please contact NAHI for proper selection.



**High Performance Hose Swivels
Solution Providers**



K100 Series – High Performance Hose Swivels

Part Number	Size - JIC	End Female	End Male	Max Work Pressure
9010-057	08 JIC FM	3/4" – 16 UNF	3/4" – 16 UNF	450 bar
9010-058	10 JIC FM	7/8" – 14 UNF	7/8" – 14 UNF	
9010-005	12 JIC FM	1-1/16" – 12 UN	1-1/16" – 12 UN	
9010-006	16 JIC FM	1-5/16" – 12 UN	1-5/16" – 12 UN	
Part Number	Size - JIC	End Male	End Male	Max Work Pressure
9010-038	08 JIC MM	3/4" – 16 UNF	3/4" – 16 UNF	450 bar
9010-061	12 JIC MM	1-1/16" – 12 UN	1-1/16" – 12 UN	
9010-062	16 JIC MM	1-5/16" – 12 UN	1-5/16" – 12 UN	
Part Number	Size - ORFS	End Female	End Male	Max Work Pressure
9010-007	12 SAE FM	1-3/16" – 12 UN	1-3/16" – 12 UN	450 bar
9010-064	12 SAE FM	1-3/16" – 16 UNF	13/16" – 16 UNF	
9010-008	16 SAE FM	1-7/16" – 12 UN	1-7/16" – 12 UN	400 bar
Part Number	Size - ORFS	End Male	End Male	Max Work Pressure
9010-059	12 SAE MM	1-3/16" – 12 UN	1-3/16" – 12 UN	450 bar
9010-063	12 SAE MM	1-3/16" – 16 UNF	1-3/16" – 16 UNF	
9010-060	16 SAE MM	1-7/16" – 12 UN	1-7/16" – 12 UN	400 bar
9010-009	20 SAE MM	1-11/16" – 12 UN	1-11/16" – 12 UN	

Field Serviceable



Heavy-duty swivels
that pay for themselves

NAHI, LLC – CUSTOMER SERVICE • 225-751-0500 • www.nahi.com

North American Hydraulics, (NAHI, LLC), partnering with Italgrouop offering Single and Dual Displacement Radial Piston Motors (High Speed Motors).

Features and Options:

- Fixed and Dual Displacement
- High Speed High Volumetric Efficiency
- High Starting Torque
- Compact Design
- High Cavitation Resistance
- Freewheeling Operation
- Low Maintenance and High Reliability
- High Pressure Bidirectional Shaft Seals Available

Proven Solutions for:

- Mobile Applications
- Industrial Applications
- Chain and Sprocket Applications
- Primary Wheel Drives



Please contact NAHI for additional information.

The above information should be used as a guide and is subject to change without notice.

Please contact NAHI for proper selection.

High Speed Single and Dual Displacement Radial Piston Motors

Solution Providers



Single Displacement Radial Piston Motors						
Models	Displacement		Max Speed	Continuous Pressure	Peak Pressure	Torque
	in ³	cc	rpm	psi	psi	ft-lbs
G20	1.3	20.5	2500	3625	5075	0.2
G27	1.7	27.3	2500			0.3
G34	2.1	34.2	2500			0.4
G50	3.1	50.9	2400			0.6
G75	4.7	76.3	2300			0.9
G90	5.4	89.0	2200			1.0
G100	6.2	102.0	2200			1.2

GD100 Dual Displacement Radial Piston Motor							
Models		Displacement		Max Speed	Continuous Pressure	Peak Pressure	Torque
		in ³	cc	rpm	psi	psi	ft-lbs
GD100 Maximum Displacement	Pick One	3.1	50.3	2300	3625	5075	0.6
		3.9	63.6	2100			0.7
		4.7	76.3	2000			0.9
		5.4	89.0	1900			1.0
		6.1	100	1850			1.2
GD100 Minimum Displacement	Pick One	1.9	31.0	2400	3625	5075	0.4
		2.3	38.0	2350			0.4
		3.1	50.3	2300			0.6





North American Hydraulics, (NAHI, LLC), partnering with Italgroupp offering Single Displacement Radial Piston Motors (Low Speed High Torque Motors).

Features and Options:

- High Volumetric and Mechanical Efficiencies
- Smooth Running at Low Speeds
- High Starting and Constant Torque
- Wide Speed Range
- Compact Design
- Low Maintenance and High Reliability
- Bi-directional
- High Radial and Axial Force
- Speed Sensor Available
- Built-in Valves Available

Proven Solutions for:

- Marine and Offshore Equipment
- Winches / Conveyors
- Steel Bending Machines
- Fork Lift Trucks
- Skid Steer Loaders
- Dumpers
- Agricultural and Forestry Machines
- Municipal Vehicles
- Injection Moulding Machines

Please contact NAHI for additional information.

The above information should be used as a guide and is subject to change without notice.

Please contact NAHI for proper selection.



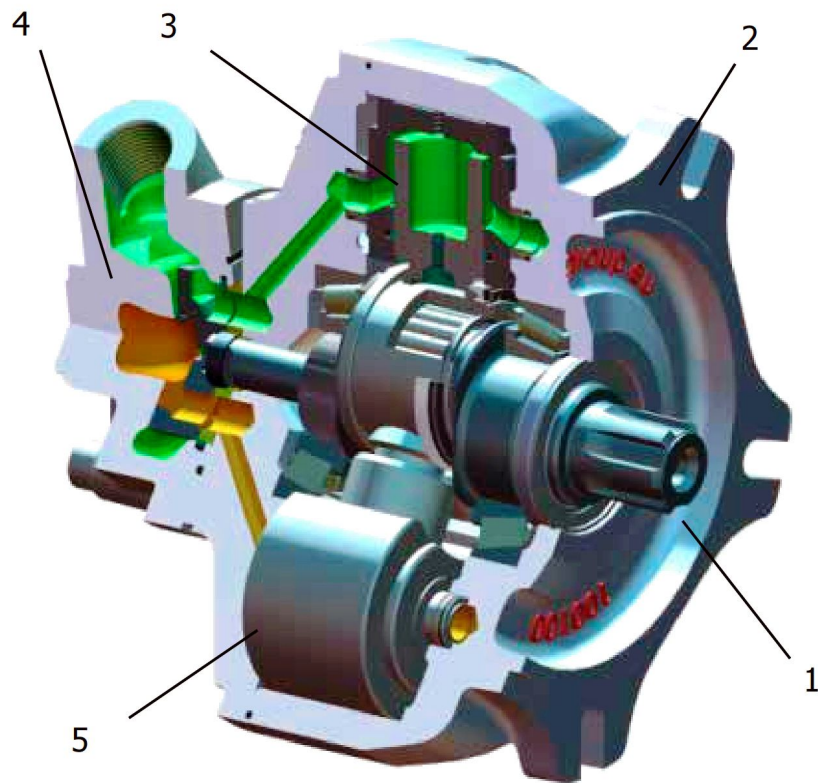
HC Series - Single Displacement Hydraulic Motor							
Models	Displacement		Max Speed	Continuous Pressure	Peak Pressure	Max Continuous Power	
	in ³	cc	rpm				
HC05	40	2.4	40	1200	3625	5075	21
	60	3.6	60	1200			34
	75	4.5	74	1200			43
	90	5.5	91	1100			43
	110	7.0	115	850			47
	130	7.8	129	850			47
	150	9.2	151	850			47
	175	10.1	166	750			47
	200	11.6	191	750			47
HC1	250	13.7	226	600	3625	5075	47
	100	5.9	98	1100			54
	150	9.4	154	700			54
	175	10.5	173	700			61
	200	12.2	200	600			61
	220	13.4	221	600			65
	250	14.8	243	600			68
	300	17.6	289	550			68
	330	19.2	315	450			68
HC2	200	11.7	193	1200	3625	5075	102
	250	15.3	251	950			
	300	18.6	305	800			
	350	21.2	348	650			
	400	25.8	424	600			
	500	30.0	493	520			
	600	34.5	566	480			
HC3	650	38.0	624	440	3625	5075	115
	350	21.4	352	640			
	400	25.9	426	600			
	500	29.6	486	500			
	600	36.3	595	450			
	700	42.0	689	420			
	800	48.3	792	400			
HCS	900	53.2	872	360	3625	5075	136
	1000	60.2	988	310			
	800	49.3	808	350			
	1000	63.4	1040	320			
	1200	72.6	1190	320			
	1300	81.7	1340	320			
	1500	89.3	1464	300			
1600	99.7	1635	280				
1800	110.8	1816	280				
2000	122.6	2010	220				





Motor description

HC series motors are radial piston hydraulic motors (generally indicated as LSHT motors, low speed high torque motors) with a rotating shaft (1) and a stationary housing (2). The pistons (3) are located radially and the working fluid provide the mechanical force that push the pistons against the eccentric shaft , providing the shaft output torque. The inlet and outlet flow to and from the pistons is regulated by a distributor (4), that provides the oil distribution correct timing. The HC motor design is very compact because the piston and the connecting rod are realized in the same piece, to make this realizable an oscillating cylinder is present (5). Acting in the adequate way (increasing or reducing the oil flow coming from the pump) the motor rotational speed can be increased or reduced. The motor design guarantee extremely high starting torque and high mechanical working efficiency. Respecting the limitation of working parameters (indicated into the technical datasheets) and all recommendations (including fluid recommendations), high motor lifetimes are obtained and very low maintenance requirements are needed.





North American Hydraulics, (NAHI, LLC), partnering with Italgroup offering Dual Displacement Radial Piston Motors (Low Speed High Torque Motors).

Features and Options:

- High Volumetric and Mechanical Efficiencies
- Smooth Running at Low Speeds
- High Starting and Constant Torque
- Wide Speed Range
- Compact Design
- Low Maintenance and High Reliability
- Bi-directional
- Dual Speed
- High Radial and Axial Force
- Freewheeling
- Speed Sensor Available
- Built-in Valves Available

Proven Solutions for:

- Marine and Offshore Equipment
- Winches / Conveyors
- Steel Bending Machines
- Fork Lift Trucks
- Skid Steer Loaders
- Dumpers
- Agricultural and Forestry Machines
- Municipal Vehicles
- Injection Moulding Machines

Please contact NAHI for additional information.

The above information should be used as a guide and is subject to change without notice.

Please contact NAHI for proper selection.



R8C Series - Dual Displacement Radial Piston Motors

Models	Displacement		Max Speed	Continuous Pressure	Peak Pressure	Torque		
	in ³	cc	rpm	psi	psi	ft-lbs		
R8C 195 H1	69	4.2	69	3626	5075	0.8		
	75	4.6	75			0.9		
	95	5.8	95			1.1		
	100	6.1	100	1.2				
	125	7.6	125	3915		1.5		
	150	9.1	150			1.8		
175	10.7	175	2.1					
R8C 250 H1	195	11.9	195	3625	5075	2.3		
	95	5.8	95			1.1		
	100	6.1	100			1.2		
	125	7.6	125			1.5		
	150	9.2	150			1.8		
	175	10.7	175			2.1		
	195	11.9	195			2.3		
R8C 500 H3	232	14.2	232	3915	5075	2.7		
	257	15.7	257			3.0		
	98	6.0	98			3625	5075	1.2
	147	9.0	147					1.7
	197	12.0	197					2.3
	255	15.6	255			750		3.0
292	17.8	292	700	3.5				
344	21.0	344	700	4.1				
R8C 800 H4	393	24.0	393	3915	5075	4.6		
	442	27.0	442			5.2		
	492	30.0	492			5.8		
	165	10.1	165			3625	5075	1.9
	245	15.0	245					2.9
	273	16.7	273					3.2
	328	20.0	328			800		3.8
	410	25.0	410			800		4.8
	493	30.1	493			750		5.8
575	35.1	575	720	6.8				
660	40.3	660	700	7.7				
792	48.3	792	550	9.3				
R8C 1400 H5	0	0	0	3915	5075	0		
	82	5.0	82			1200	1.0	
	164	10.0	164			800	1.9	
	246	15.0	246			800	2.9	
	328	20.0	328			800	3.8	
	410	25.0	410			800	4.8	
	492	30.0	492			700	5.8	
	574	35.0	574			700	6.7	
	655	40.0	655			700	7.7	
	737	45.0	737			650	8.6	
	820	50.0	820			600	9.6	
	900	54.9	900			600	10.5	
	980	59.8	980			600	11.5	
	1070	65.3	1070			575	12.5	
	1150	70.2	1150			550	13.5	
1235	75.4	1235	550	14.5				
1313	80.1	1313	500	15.4				
1393	85.0	1393	500	16.4				
1499	91.5	1499	500	17.6				
1600	97.6	1600	450	18.1				



R8C Series - Dual Displacement Radial Piston Motors

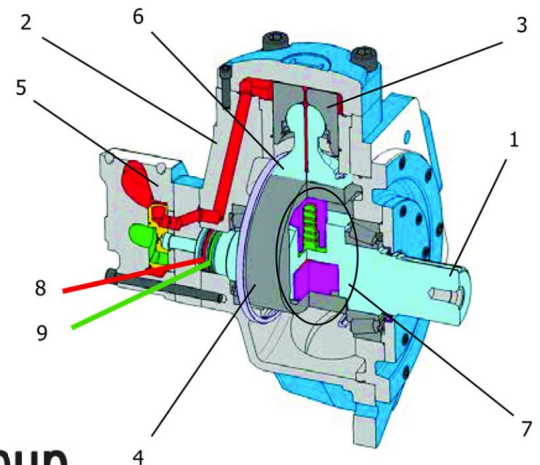
Models		Displacement		Max Speed rpm	Continuous Pressure psi	Peak Pressure psi	Torque ft-lbs
		in ³	cc				
R8C 2200 H55	0	0	0	1500	3625	5075	0
	82	5.0	82	1200			1.0
	160	9.8	160	800			1.8
	330	20.1	330	800			3.9
	490	30.0	490	720			5.8
	655	40.0	655	720			7.7
	820	50.0	820	700	9.7		
	980	59.8	980	700	3915	5075	11.5
	1150	70.2	1150	540			13.5
	1310	80.0	1310	500			15.4
	1470	89.7	1470	470			17.3
	1640	100.1	1640	430			19.3
	1800	110.0	1800	400			21.1
	1970	120.2	1970	360			23.1
	2049	125.0	2049	340			24.0
	2200	134.3	2200	320			25.8
R8C 3000 H6	0	0	0	1500			3625
	82	5.0	82	1200	1.0		
	160	9.8	160	800	1.8		
	330	20.1	330	800	3.8		
	490	30.0	490	700	5.8		
	670	41.0	670	700	7.9		
	820	50.0	820	580	9.7		
	980	60.0	980	540	11.5		
	1150	70.2	1150	500	13.5		
	1310	80.0	1310	475	15.4		
	1470	90.0	1470	450	3915	5075	17.3
	1640	100.1	1640	420			19.3
	1800	110.0	1800	400			21.2
	1970	120.2	1970	350			23.2
	2130	130.0	2130	340			25.0
	2290	140.0	2290	320			27.0
2460	150.1	2460	300	29.0			
2620	160.0	2620	300	30.8			
2790	170.3	2790	300	32.7			
2950	180.0	2950	280	34.7			
3085	188.3	3085	280	36.2			
R8C 4600 H7	0	0	0	1500	3625	5075	0
	82	5.0	82	1200			0
	164	10.0	164	700			1.9
	328	20.0	328	650			3.8
	492	30.0	492	600			5.8
	655	40.0	655	600			7.7
	980	60.0	980	550	11.5		
	1310	80.0	1310	530	3915	5075	15.4
	1640	100.1	1640	470			19.3
	1970	120.2	1970	380			23.2
	2290	139.7	2290	330			27.0
	2620	159.9	2620	280			30.8
	2950	180.0	2950	255			34.7
	3280	200.2	3280	230			38.5
	3650	222.7	3650	210			42.9
	4177	254.9	4177	185			49.0
4617	281.7	4617	170	54.2			

R8C Series - Dual Displacement Radial Piston Motors

Models		Displacement		Max Speed rpm	Continuous Pressure psi	Peak Pressure psi	Torque ft-lbs
		in ³	cc				
R8C 5400 H7	0	0	0	1500	3625	5075	0
	164	10.0	164	1200			1.2
	328	20.0	328	650			3.8
	492	30.0	492	600			5.8
	655	40.0	655	600			7.7
	980	60.0	980	550			11.5
	1311	80.0	1311	530	15.4		
	1640	100.1	1640	450	3625	5075	19.3
	2295	140.0	2295	335			27.0
	2620	160.0	2620	290			30.8
	2950	180.0	2950	260			34.7
	3280	200.2	3280	235			38.5
	3650	222.7	3650	210			42.9
	4097	250.0	4097	185			48.1
	4588	280.0	4588	165			53.8
	4915	300.0	4915	155			58.0
5080	310.0	5080	150	60.0			
5326	325.0	5326	145	62.5			

MOTOR DESCRIPTION

R8C series motors are radial piston hydraulic motors (generally indicated as LSHT motors, low speed high torque motors) with a rotating shaft (1) and a stationary housing (2). The pistons (3) are located radially and the working fluid provide the mechanical force that push the pistons against the eccentric cam (4), providing the shaft output torque. The inlet and outlet flow to and from the pistons is regulated by a distributor (5) that provides the oil distribution correct timing. The pistons transfer the forces to the eccentric shaft through a connecting rod (6). Acting in the adequate way (increasing or reducing the oil flow coming from the pump) the motor rotational speed can be increased or reduced. In addition, there is a hydraulic mechanism (7) that controls the motor displacement.





North American Hydraulics, (NAHI, LLC), partnering with Italgroupp offering Heavy Duty Single Displacement Radial Piston Motors (Built with Low Friction Materials and Hydrostatically Balanced).

Features and Options:

- High Volumetric and Mechanical Efficiencies
- Smooth Running at Low Speeds
- High Starting and Constant Torque
- Wide Speed Range
- Compact Design
- Low Maintenance and High Reliability
- Bi-directional
- High Radial and Axial Force
- Speed Sensor Available
- Built-in Valves Available

Proven Solutions for:

- Marine and Offshore Equipment
- Winches / Conveyors
- Steel Bending Machines
- Fork Lift Trucks
- Skid Steer Loaders
- Dumpers
- Agricultural and Forestry Machines
- Municipal Vehicles
- Injection Moulding Machines



R8D Series - Single Displacement Radial Piston Motors

Models	Displacement		Max Speed	Continuous Pressure	Peak Pressure	Torque				
	in ³	cc	rpm	psi	psi	ft-lbs				
R8D H2	300	19.2	314	1100	3915	5075	3.7			
R8D H3	350	21.0	342	950	3915	5075	4.0			
	400	24.2	397	860			4.6			
	450	27.6	452	760			5.3			
	500	30.0	491	690			5.8			
	600	36.2	594	570			7.0			
R8D H4	700	43.1	707	500	3915	5075	8.2			
	500	30.1	493	800			5.7			
	600	35.6	584	800			6.8			
	700	43.5	714	580			8.4			
	800	48.3	792	530			9.3			
R8D H5	850	51.7	847	490	3915	5075	9.9			
	900	55.1	904	460			10.6			
	1000	60.5	992	405			11.6			
	1250	76.1	1247	320			14.6			
	1100	72.1	1182	450			13.9			
R8D H45	1400	84.0	1376	400	3625	5075	16.2			
	900	57.4	941	600			11.1			
	1000	66.8	1094	550			12.8			
	1200	75.1	1231	510			14.5			
	1400	84.0	1376	472			16.2			
	R8D H55	1500	93.2	1528			450	3915	5075	17.9
		1600	100.6	1648			426			19.3
		1800	110.8	1815			391			21.3
		2000	124.1	2034			310			23.9
		1800	109.8	1800			290			21.1
R8D H55	2000	119.7	1962	270	3915	4640	23.0			
	2100	124.1	2035	260			23.9			
	2150	132.1	2166	260			24.9			
	2200	133.8	2193	240			25.7			
	2300	139.9	2293	235			26.9			
	2400	146.0	2393	220			28.1			
	1800	113.9	1866	400			21.9			
R8D H6	2000	121.6	1993	400	3915	5075	23.4			
	2200	134.6	2206	375			25.9			
	2500	154.0	2525	325			29.6			
	2800	171.3	2807	290			32.9			
	3000	182.0	2983	270			35.0			
	3200	200.7	3289	240			38.6			
	3500	212.3	3479	230			40.8			
R8D H7	3400	208.3	3413	220	3915	5075	40.0			
	3600	219.7	3600	210			42.9			
	3900	238.4	3907	201			45.9			
	4300	265.0	4343	184			51.0			
	4600	281.7	4616	173			54.2			
	5000	310.5	5088	161			59.7			
	5400	328.6	5384	150			63.2			
R8D H8	3000	184.3	3020	300	3625	5075	35.5			
	6000	364.1	5966	138			70.1			
	6500	401.6	6581	138			77.2			
	6800	424.8	6962	138			81.7			
	7600	465.0	7620	104			89.5			
R8D H9	8000	492.0	8062	92	2610	5075	94.6			
	7000	430.2	7050	190			82.6			
	8000	508.4	8332	160			97.8			
	9000	534.4	8757	155			102.8			
	10000	623.3	10214	135			119.9			
	11000	672.2	11016	120			129.3			
	12000	736.7	12073	110			141.7			
13000	794.5	13020	105	152.9						

Please contact NAHI for additional information.

The above information should be used as a guide and is subject to change without notice.

Please contact NAHI for proper selection.





North American Hydraulics, (NAHI, LLC), partnering with Italgrouop offering Single Displacement Radial Piston Motors (Low Speed High Torque Motors).

Features and Options:

- High Volumetric and Mechanical Efficiencies
- Smooth Running at Low Speeds
- High Starting and Constant Torque
- Wide Speed Range
- Compact Design
- Low Maintenance and High Reliability
- Bi-directional
- High Radial and Axial Force
- Speed Sensor Available
- Built-in Valves Available

Proven Solutions for:

- Marine and Offshore Equipment
- Winches / Conveyors
- Steel Bending Machines
- Fork Lift Trucks
- Skid Steer Loaders
- Dumpers
- Agricultural and Forestry Machines
- Municipal Vehicles
- Injection Moulding Machines

Please contact NAHI for additional information.

The above information should be used as a guide and is subject to change without notice.

Please contact NAHI for proper selection.



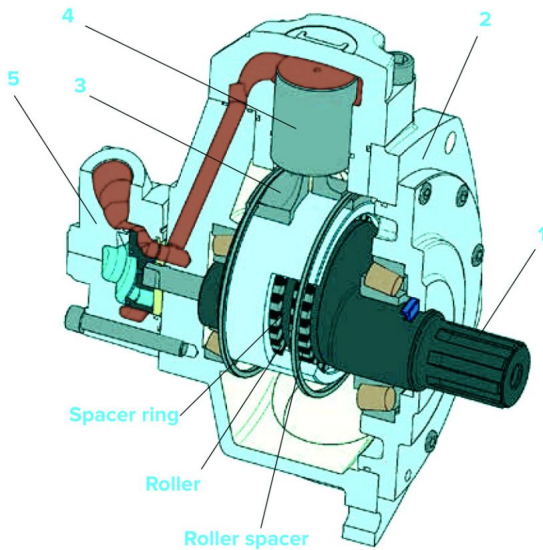
R8M Series - Single Displacement Radial Piston Motors									
Models		Displacement		Max Speed	Continuous Pressure	Peak Pressure	Torque		
		in ³	cc	rpm	psi	psi	ft-lbs		
R8M H1	80	4.9	80	1050	3625	5075	1.0		
	100	6.1	100	1050			1.2		
	150	9.6	157	1050			1.8		
	175	10.7	176	900			2.1		
	195	11.9	195	900			2.3		
	200	12.6	207	850			2.4		
R8M H2	250	15.7	257	850	3625	5075	3.0		
	300	18.7	307	850			3.6		
	200	12.1	198	900			3625	5075	2.4
	250	15.4	253	850					3.0
	300	19.2	314	850					3.7
	350	22.1	362	750					4.3
400	25.9	424	700	5.0					
500	30.0	492	600	5.7					
R8M H3	600	35.6	584	600	3625	5075	6.9		
	350	21.3	349	700			4.1		
	300	24.2	397	680			4.6		
	450	27.6	452	680			5.3		
	500	30.0	491	680			5.8		
	600	36.2	594	630			6.9		
R8M H4	650	40.1	660	580	3625	5075	7.7		
	700	43.1	707	500			8.3		
	800	48.3	791	450			9.3		
	700	43.6	714	580			3625	5075	8.4
	800	48.3	792	530					9.3
	850	51.7	847	530					10.0
900	55.2	904	530	10.6					
1000	60.5	992	400	11.7					
1100	68.1	1116	400	13.1					
R8M H45	1200	72.7	1192	350	3625	5075	14.0		
	1250	76.1	1247	300			14.6		
	1400	81.3	1332	280			15.6		
	1100	72.2	1183	400			3625	5075	13.9
	1400	84.0	1376	350					16.2
	1600	100.6	1648	325					19.3
1800	110.8	1815	300	21.3					
R8M H5	1000	66.8	1094	400	3625	5075			12.8
	1200	75.1	1231	350					14.5
	1400	84.0	1376	350			16.2		
	1500	93.2	1528	350			17.9		
	1600	100.6	1648	340			19.3		
	1800	110.8	1815	300			21.3		
R8M H55	2000	124.2	2035	260	3625	5075	23.9		
	2200	135.5	2220	240			26.0		
	2200	130.1	2126	280			24.9		
2500	154.1	2525	29.6						
2800	171.3	2807	33.0						
	3000	184.8	3028	35.6					





MOTOR DESCRIPTION

R8M series motors are radial piston hydraulic motors (generally indicated as LSHT motors, low speed high torque motors) with a rotating shaft (1) and a stationary housing (2). The pistons (4) are located radially and the working fluid provide the mechanical force that push the pistons against the eccentric shaft, providing the shaft output torque. The inlet and outlet flow to and from the pistons is regulated by a distributor (5) that provides the oil distribution correct timing. The pistons transfer the forces to the eccentric shaft through a connecting rod (3). Acting in the adequate way (increasing or reducing the oil flow coming from the pump) the motor rotational speed can be increased or reduced. The motor design guarantee extremely high starting torque and high mechanical working efficiency. Respecting the limitation of working parameters (indicated in the technical datasheets) and all recommendations (including fluid recommendations), high motor lifetimes are obtained and very low maintenance requirements are needed.



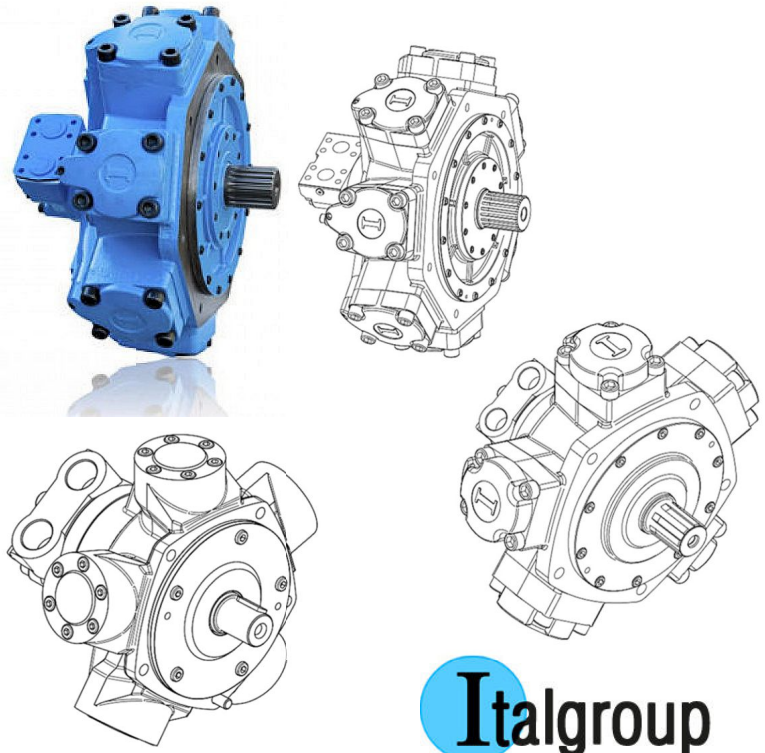
R8M Series - Single Displacement Radial Piston Motors							
Models		Displacement		Max Speed rpm	Continuous Pressure psi	Peak Pressure psi	Torque ft-lbs
		in ³	cc				
R8M H6	2200	134.6	2206	260	3625	5075	25.9
	2500	154.1	2525	260			29.6
	2800	171.3	2807	260			33.0
	3000	182.0	2983	250			35.0
	3200	200.7	3289	240			38.6
	3500	212.3	3479	240	40.9		
R8M H7	3900	238.4	3907	200	3625	5075	45.9
	4300	265.0	4343	190			51.0
	4600	281.7	4616	190			54.2
	5000	310.5	5088	180			59.7
	5400	328.6	5384	170			63.2
R8M H8	6000	364.1	5966	140	3625	5075	70.1
	6500	401.6	6581	140	3625		77.2
	6800	424.8	6962	140	3625		81.7
	7600	465.0	7620	100	2755		89.5
	8000	492.0	8062	90	2610		94.6
R8M H9	7000	430.2	7050	190	3915	5075	82.6
	8000	508.4	8332	160	3915		97.8
	9000	534.4	8757	155	3770		102.8
	10000	623.3	10214	135	3625		119.9
	11000	672.2	11016	120	3625		129.3
	12000	736.7	12073	110	3625		141.8
	13000	794.5	13020	105	3625		152.9

TECHNICAL INNOVATION ON R8M H45, H5, H55, H6 and H7 SERIES

Special bearing construction to prevent from seizure of the connecting rod with the external bushing. This could happen in high speed and high pressure working conditions and could lead to motor breakdown.

The new bearing design consists of:

- roller spacers, with function of keeping rollers axis parallel creating space between rollers to hold more oil
- spacer rings, with function of keeping rollers lined up absorbing axial forces coming from connection rod





NORTH AMERICAN HYDRAULICS

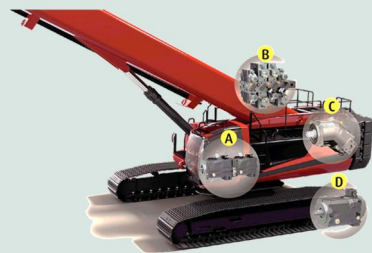
North American Hydraulics, (NAHI, LLC), partnering with Linde bent axis hydraulic motors.

Features and Options:

- Stepless or two position control
- Electric or hydraulic control
- Override pressure control
- Brake pressure shut off
- Can be set to 0 cm³/rev
- Double motor or pump available

Benefits:

- Smooth low-speed operation
- High starting torque
- Wide torque/speed range
- Highly dynamic response
- Compact design
- High power density/reliability
- Long service life



Please contact NAHI for additional information

The above information should be used as a guide and is subject to change without notice.

Please contact NAHI for proper selection.



Model CMF SAE



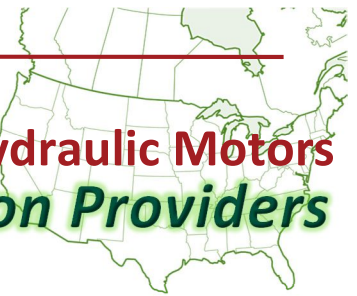
Model CMF Cartridge



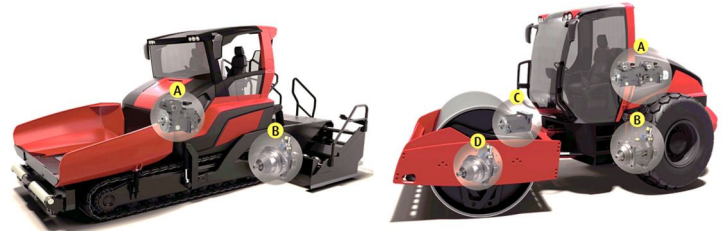
Model CMV SAE



Model CMV Cartridge



**Bent Axis Hydraulic Motors
Solution Providers**



CMF Series – Fixed Displacement Bent Axis Fixed Motors						
Model	Displacement		Max Speed rpm	Max Pressure psi	Output Flange	Output Shaft
	in ³	cc				
CMF 80 SAE	4.88	80	5000	7250	SAE C4B	14T or 21T
CMF 80 ISO*					Ø190	W40

* Cartridge (Plug In) Version

CMV Series – Variable Displacement Bent Axis Motors						
CMV 115 SAE	7.01	115	6150	7250		
CMV 115 ISO*						

* Cartridge (Plug In) Version

CMV Series – Variable Displacement Bent Axis Motors						
Model	Displacement (max)		Max Speed rpm	Max Pressure psi	Availability	
	in ³	cc				
60	3.66	60	7200	7250	Available Q3-2021	
85	5.18	85	6800		Available Q4-2020	
140	8.54	140	5800		Available Q3-2021	
170	10.37	170	4900		Available Q4-2020	
215	13.12	215	4600		Available Q4-2021	

Variable Controls Options	
Name of Control	Type
H200	hydraulic 2-position, default = V _{max}
H400	hydraulic stepless, V _{max} = 0 cc/rev, default = V _{max}
E200	electro-hydraulic 2-position, default = V _{max}
E400	electro-hydraulic stepless, V _{min} = 0 cc/rev, default = V _{max}
E600	electro-hydraulic, default = V _{min}
H1P6	hydraulic stepless with pressure override and electric pressure side selection, default = V _{max}



Turning Power into Motion.



NORTH AMERICAN HYDRAULICS

North American Hydraulics, (NAHI, LLC), partnering with Linde Hydraulics offering High Pressure Hydrostatic Pumps and Motors for Closed or Open Loop applications.

Features and Options:

- Stepless or two position control
- Electric or hydraulic control
- Override pressure control
- Brake pressure shut off
- Can be set to 0 cm³/rev
- Double motor or pump available

Benefits:

- Smooth low-speed operation
- High starting torque
- Wide torque/speed range
- Highly dynamic response
- Compact design
- High power density/reliability
- Long service life



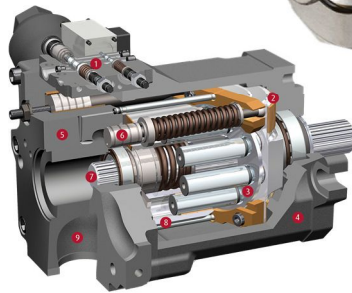
Please contact NAHI for additional information.

The above information should be used as a guide and is subject to change without notice.

Please contact NAHI for proper selection.



**High Pressure Pumps and Motors
Solution Providers**



Pressure Ratings		
Continuous Pressure	Nominal Pressure	Peak Pressure
3625 psi	6090 psi	7250 psi

Controls Overview		
Name of Control	Additional Option	Type
MIR	proportional	Mechanical-hydraulic
HI	proportional	Hydraulic
HIP	with pressure cut-off regulation	Hydraulic
CA	automatic	Hydraulic-mechanical
EI	proportional	Electro-hydraulic
EIP	with pressure cut-off regulation	Electro-hydraulic
E2	with additional safety function	Electro-hydraulic
E5	3 position	Electro-hydraulic

Displacement	HPV-02 Closed Loop Pump	HPR-02 Open Loop Pump	HMV-02 Variable Displacement Motor	HMR-02 Self-regulated Motor	HMF-02 Fixed Displacement Motor
28					▪
35					▪
55	▪	▪	▪	▪	▪
63					▪
75	▪	▪	▪	▪	▪
105	▪	▪	▪	▪	▪
135	▪	▪	▪	▪	▪
165	▪	▪	▪	▪	▪
210	▪	▪	▪	▪	▪
280	▪	▪	▪	▪	▪
105D		▪	▪		
125D		▪			
135D			▪		
165D		▪			



Turning Power into Motion.



NORTH AMERICAN HYDRAULICS

North American Hydraulics, (NAHI, LLC), partnering with NACHI in power transmission solutions for compact construction machinery applications.

Features and Benefits:

- All required components are integrated
 - Planetary gearbox
 - Hydraulic motor
 - Parking brake
 - Counterbalance valve
 - Relief valve
- High efficiency axial piston motor maintains high efficiencies at high pressure reducing engine stall and enables better machine maneuverability
- Two-speed function
- Auto kick down



Proven Solutions for:

- Track
- Wheel
- Winch

Please contact NAHI for additional information.

The above information should be used as a guide and is subject to change without notice.

Please contact NAHI for proper selection.



Planetary Drive with Integral Motor Solution Providers



PHV Series - Travel Motor					
Model	Available Gear Ratio	Available Hyd. Motor Displacement (Lo/Hi mode) in ³ /rev	Output Torque (Low mode)		Motor Input Speed (Hi mode) in ³ /rev
			Intermittent lbf-in	Continuous lbf-in	
PHV-1B	25.26:1 36.96:1	.58/.29 .67/.34 .70/.35 .76/.38	13,363	6,681	3000
PHV-2B	31.00:1 39.00:1	.98/.51 .98/.56 1.05/.52 1.05/.58	23,186	11,593	3000
PHV-3B	36.51:1 45.20:1	1.26/.67 1.31/.79 1.44/.73 1.44/.79 1.44/.96 1.53/.87	35,407	18,204	3500
PHV-4B	36.80:1 47.53:1	1.75/1.06 1.81/1.12 2.09/1.17 2.15/1.30	61,000	30,504	3500
PHV-5B	64.25:1	2.58/1.32	83,000	41,500	3500
PHV-6B	In Development				
Parking Brake Available					
Torque should be approx 85% of value					

Other Products Offered by NACHI



NAHI, LLC – CUSTOMER SERVICE • 225-751-0500 • www.nahi.com

North American Hydraulics, (NAHI, LLC), partnering with NACHI in Mobile Piston Pumps for compact construction machinery applications.

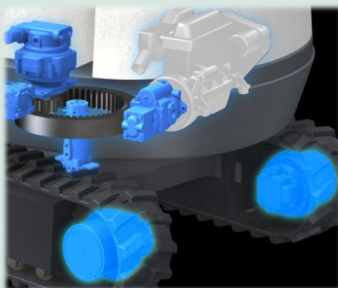


Features and Benefits:

- Model PVS Series:
 - Low noise
 - Low pulsation
 - Load sensing control
 - Tandem pump control
- Model PVD Series:
 - One pump discharges two equal amounts of flow to ensure shovel straightness
 - Constant horsepower control with full use of engine horsepower, resulting in increased speed and power for the mother machine

Proven Solutions for:

- Construction Equipment



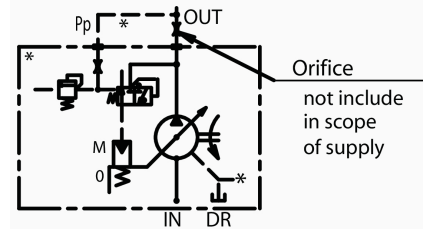
Please contact NAHI for additional information.

The above information should be used as a guide and is subject to change without notice.

Please contact NAHI for proper selection.

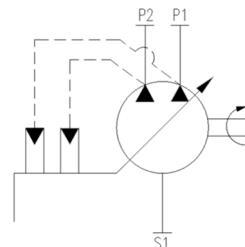
PVS Series – Variable Displacement Piston Pumps

Model	Maximum Displacement cm ³ /rev	Maximum Pressure psi	Maximum Speed rpm	Rated Speed rpm	Minimum Speed rpm	Primary Shaft	Primary Mounting Flange	Weight lbs	Rotation
PVS-0B-8	8	3626	2340	2000	500	9T-0.625"	"A"2B	17	RH
PVS-1B-16	16.5							23	RH
PVS-1B-22	22							23	RH
PVS-2B-35	35					11T-0.75"	"B"2B	46	RH
PVS-2B-45	45					15T-1.00"	"B"2B	46	LH



PVD Series – Split Flow Piston Pumps

Model	Maximum Displacement cm ³ /rev	Maximum Pressure psi	Maximum Speed rpm	Rated Speed rpm	Minimum Speed rpm	Primary Shaft	Primary Mounting Flange	Weight lbs	Rotation
PVD-00B	8x2	3550	2800	2600	900	13T-7/8"	"B"2B	20	RH
PVD-0B	12x2		2800	2600				28	RH
PVD-1B	17x2		2700	2500				33	RH
PVD-2B	22.5x2		2600	2400				44	RH
PVD-3B	33x2		2400	2200		15T-1.00"	"C"2B	59	RH





NORTH AMERICAN HYDRAULICS

North American Hydraulics, (NAHI, LLC), partnering with O&K and Bonfiglioli a global leader in power transmission solutions for mobile and industrial applications.

Features and Benefits:

- Large taper roller bearings for support of excessive machine weight and generated torques
- Use of high-quality forged steel for spindles and planetary carriers for less deflection
- Precision ground planetary gears for greater efficiency
- 3 to 7 planetaries per stage for better load distribution
- Ring gears are tempered, hardened steel for longer life

Proven Solutions for:

- Track
- Wheel
- Winch
- Road Milling
- Cutter
- Reel



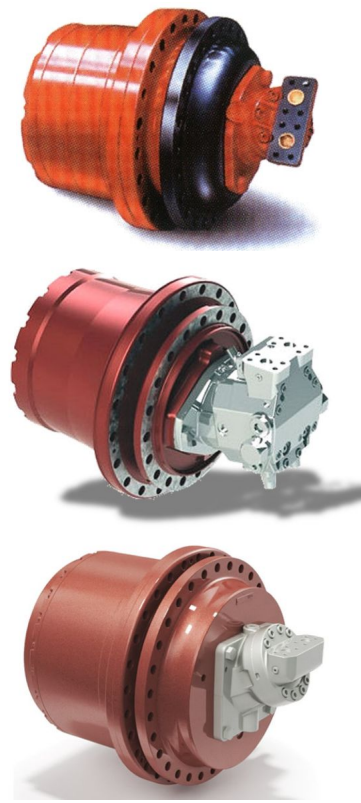
Please contact NAHI for additional information.

The above information should be used as a guide and is subject to change without notice.

Please contact NAHI for proper selection.



Planetary Final Drives Solution Providers



F Series – Final Drives, Rotating Housing

Model	Peak Rating (lb-ft)	Ratio	Model	Peak Rating (lb-ft)	Ratio
F-5	3,680	30 to 53	F-360	265,500	94 to 490
F-10A	7,375	35 to 65	F-420	325,500	259
F-13A	9,600	41 to 229	F-440	325,000	352 to 705
FD-20	14,750	81 to 228	F-560	413,034	357 to 887
F-30	22,125	19 to 305	F-620	457,200	249 to 462
F-40	29,500	19 to 181	F-650	479,400	682
F-55	40,560	16 to 185	F-700	516,293	377 / 648
F-80	59,000	19 to 206	F-800	590,000	283 / 298
F-100	73,750	21 to 226	F-1100	811,320	406
F-130	95,875	69 to 206	F-1300	958,830	461
F-180	132,660	206 to 281	F-1800	1,327,600	656 / 744
F-220	162,250	97 to 345	F-2200	1,622,000	552 / 989
F-260	191,265	69 to 1784	F-3000	2,150,700	699
F-280	206,500	201			

Other Products Offered by Bonfiglioli



NAHI, LLC – CUSTOMER SERVICE • 225-751-0500 • www.nahi.com



NORTH AMERICAN HYDRAULICS

North American Hydraulics, (NAHI, LLC), service partnering with Rollstar hydraulic motors and planetary gearboxes.

Features and Options:

- Modular hydraulic motors and planetary gearboxes produced in series on the most modern machines and in large quantities for a torque range of 1,500 Nm to 6,500,000 Nm
- A large number of design variants for the input and output side, providing a solution to virtually all applications
- Extensive stocks and standard spare parts can therefore be available within 72 hours at every international airport

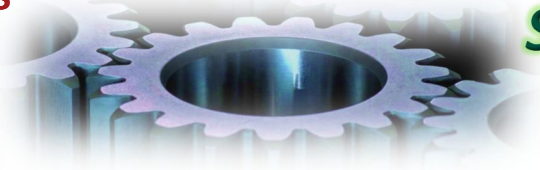
The name Rollstar stands for Swiss quality and reliability in the area of gearbox manufacturing.

Ever since 1966, the year the company was founded, Rollstar has enjoyed a global reputation as a reliable, expert partner for all drive technology applications.



Please contact NAHI for service.

Hydraulic Motors and Planetary Gearboxes Solution Providers



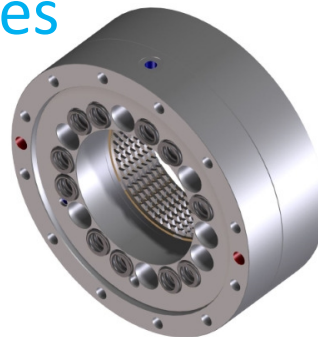
Gearboxes



Motors



Brakes





NORTH AMERICAN HYDRAULICS

North American Hydraulics, (NAHI, LLC), partnering with Rotary Power (SMA) heavy duty, radial piston, eccentric configuration motors. The efficient design includes a hardened high tensile steel crankshaft supported on hydrostatic and taper roller bearings.

The SMA can withstand both high mechanical and high hydraulic shock loads offering excellent life and continuous high power use. Speed and power ratings are significantly higher than stand high torque low speed (HTLS) motors.

Features and Benefits:

- Freewheel capabilities
- Displacements available from 12.6in³ – 1000in³
- Continuous pressure of 5075psi
- Suitable for use with most hydraulic fluids
- Withstands high peak pressures
- Minimal no-load pressure drop even at high speed
- High power options
- Two speed options

Proven Solutions for:

- Construction
- Recycling & Municipal Vehicles
- Agriculture & Forestry
- Mining & Bulk Material Handling
- Marine & Offshore
- Oil & Gas

Please contact NAHI for additional information.

The above information should be used as a guide and is subject to change without notice.

Please contact NAHI for proper selection.



Radial Piston Motors Solution Providers



SMA Radial Piston Motor							
SMA	Displacement		Max Speed (rpm)		Max Pressure psi	Max Power (hp)	
	in ³	cc	Standard	High Power		Standard	High Power
SMA0480	12.6	206				37	72
	17.6	288				53	101
	20.6	337	480	1,000	6,500	64	119
	22.6	370				64	119
SMA0500	29.3	480				91	169
	30.5	500	430	700	6,500	81	138
	46.1	755	380	620		112	183
	52.2	855	350	620	6,500	127	203
SMA1230*	60.7	995	350	600		134	250
	70.8	1160	283	580		166	262
	81.8	1340	320	565		167	296
	97.7	1601	300	565	6,500	188	354
SMA2200*	135.9	2227	216	406		261	354
	122.2	2002	285			221	298
	152.9	2505	285			248	373
	170.9	2800	260	380	6,500	268	402
SMA3200	192.1	3148	240			318	478
	213.8	3503	---	350		---	480
	265.3	4347	---	240	6,500	---	536
	305.7	5009	---	210		---	603
SMA6250	381.3	6248	---	190	6,500	---	737
	427.7	7008	---			---	658
	530.7	8696	---	240	6,500	---	817
	450.4	7380	---	180		---	594
SMA8700*	537.7	8811	---	150	6,500	---	708
	640.6	10497	---	125		---	884
	793.3	13000	---			---	1,100
	1000.7	16398	---	125	6,500	---	1,206
Note:	* 2-Speed option available on some models (inquire within) All torque values are theoretical at max pressure with no inefficiencies --- Not Available						



NAHI, LLC – CUSTOMER SERVICE • 225-751-0500 • www.nahi.com

DESCRIPTION OF OPERATION

The motor function is achieved by five pistons carried radially in a cylinder block mounted on an eccentric on the driveshaft. Hydraulic fluid under pressure is fed to each piston in turn from axial galleries in the crankshaft through a timing slot in the eccentric. The pistons are supported by flat reaction pads inside the motor case. Pressurising the pistons produces a turning moment on the eccentric by direct hydraulic pressure, thus eliminating connecting rods or other mechanical linkage between piston and crankshaft and the resultant losses associated with such components. Each piston is supported at the reaction pad end by a hydrostatic bearing and is free to float sideways to accommodate the orbiting action of the cylinder block. Correct location of the cylinder block relative to the reaction pads is maintained by a coupling. The crankshaft is supported on large taper roller bearings capable of accepting both radial and axial external loads. Fluid is fed to and from the crankshaft galleries through a rotating distributor system at the non-drive end of the shaft.

FREE-WHEEL ABILITY

The ability to free-wheel is an inherent feature of the SMA range. Only hydraulic system pressure retains the pistons against their respective pads; therefore if the motor is isolated from the rest of the system the piston sleeves are free to retract, thus allowing the cylinder block to orbit without pumping fluid and consequently with negligible resistance. Piston retraction is achieved by pressurising the motor case. Drive is re-engaged by opening the hydraulic supply to the motor, when the pistons resume their normal working position against their respective pads. During this process the large hydrostatic bearing surface has a dampening effect, preventing harsh contact between each piston and its pad.

MULTIPLE DISPLACEMENT OPTION

Multiple displacements are achieved as follows:

'C' Configuration:

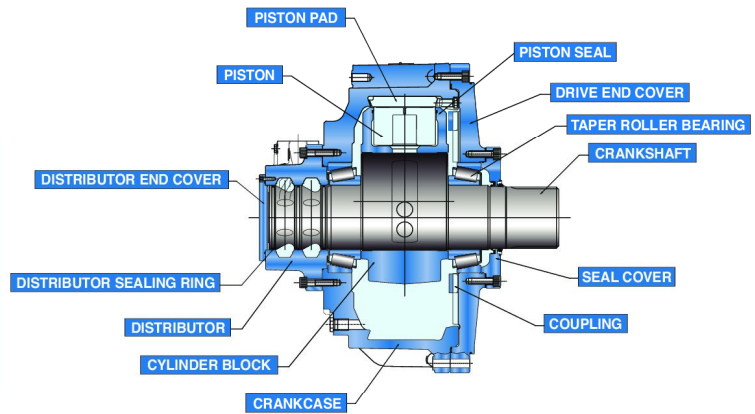
By separating the bore and wall areas of the pistons, so they can be pressurised simultaneously or independently. Pressurising the full area gives maximum torque and displacement, whilst pressurising the wall or bore areas gives intermediate and minimum displacements respectively.

'T' Configuration:

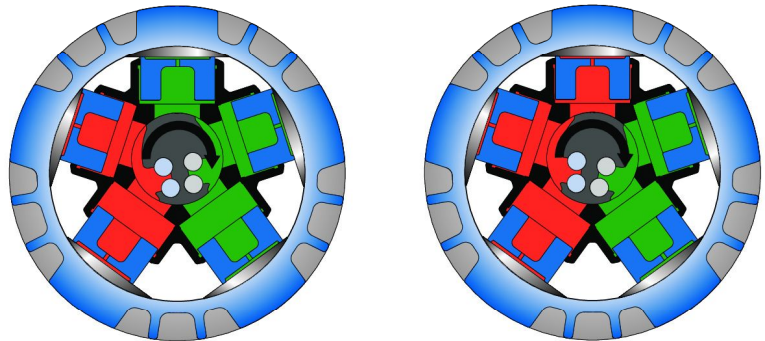
By separating each bank of this double-bank motor, so each bank can be pressurised simultaneously or independently. Pressurising both banks gives maximum torque and displacement, whilst pressurising only one bank gives minimum displacements respectively.

In each case, flow is directed to individual displacement areas through dual galleries in the crankshaft, via an integral pilot-operated selector valve, mounted on the distributor housing. This valve ensures that the non-pressurised area remains full of hydraulic fluid, thus allowing displacement to be changed while the motor is turning, under load.

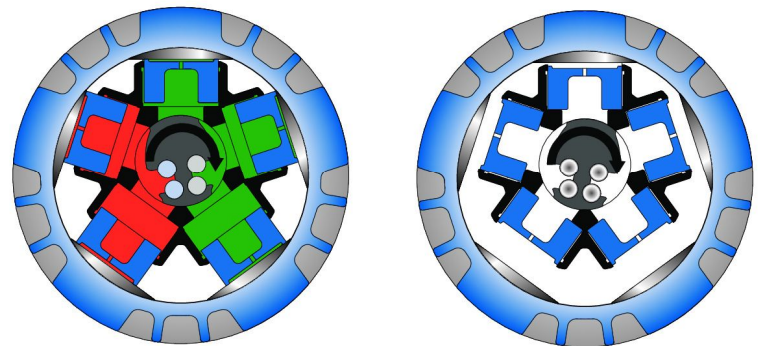
COMPONENT IDENTIFICATION



High pressure ■ Low pressure ■



MOTING



MOTING

FREEWHEEL



NORTH AMERICAN HYDRAULICS

North American Hydraulics, (NAHI, LLC), partnering with Rotary Power XF Series Radial Piston CAM Motors.

Features and Benefits:

- Modular, Compact, Customizable, CAM Motor
- Radial piston, multi-stroke CAM design
- Displacement 150cc to 1362cc
- Maximum Pressure 6090 psi
- Radial or axial port options
- Compact design with three output styles
- Freewheel capability

Proven Solutions for:

- Construction
- Recycling & Municipal Vehicles
- Agriculture & Forestry
- Mining & Bulk Material Handling
- Marine & Offshore
- Oil & Gas



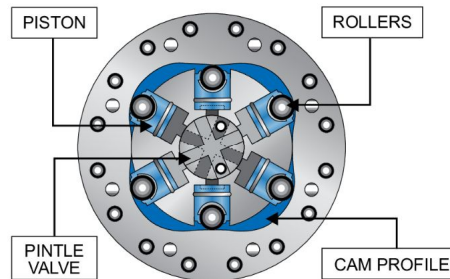
Please contact NAHI for additional information.

The above information should be used as a guide and is subject to change without notice.

Please contact NAHI for proper selection.



Radial Piston Motors Solution Providers



XF Series - Radial Piston Motor							
XF		Displacement		Max Speed rpm	Max Pressure psi	Max Power hp	
		in ³	cc				
XF02	150	9.1	150	550	6090	24.1	
	200	12.2	200	500			
	280	17.1	280	390			
	340	20.7	340	320			
XF04	300	18.3	300	375		6090	38.9
	350	21.3	350	262			42.9
	400	24.4	400	250			46.9
	480	29.3	480	222			48.3
	560	34.2	561	195			48.3
	620	37.8	620	178			48.3
XF05	390	24.0	393	440		6090	40.2
	490	30.1	493	350			
	560	34.1	559	320			
	680	41.5	681	260			
XF10	780	47.9	785	230	6090	80.4	
	880	54.0	886	200			
	980	60.1	986	180			
	1050	64.2	1052	170			
	1120	68.1	1117	160			
	1240	75.6	1239	145			
	1360	83.1	1362	132			



Oil is fed under pressure through the valve and into the cylinders. The pistons attempt to move outwards. The rollers react on the incline of the cam profile and this action produces rotation of the cylinder block.

Each piston completes four strokes per revolution of the motor. The symmetrical arrangement balances hydraulic forces, eliminating the need for bearings.



NORTH AMERICAN HYDRAULICS

North American Hydraulics, (NAHI, LLC), partnering with Rotary Power XJ Series Radial Piston Motors.

Features and Benefits:

- Modular, Compact, Customizable, CAM Motor
- Radial piston, multi-stroke operation
- Displacement 260cc to 5010cc
- Maximum Pressure 5076 psi
- 2-speed option
- Parking brake option
- Freewheel capability
- Multiple mounting arrangements
- Shaft up vent port option
- Wheel and shaft output options
- Heavy duty dirt excluder

Proven Solutions for:

- Construction
- Recycling & Municipal Vehicles
- Agriculture & Forestry
- Mining & Bulk Material Handling
- Marine & Offshore
- Oil & Gas

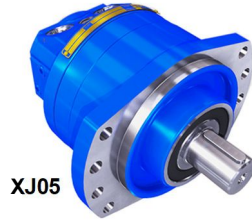


Please contact NAHI for additional information.

The above information should be used as a guide and is subject to change without notice.

Please contact NAHI for proper selection.

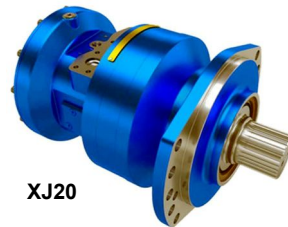
**Radial Piston Motors
Solution Providers**



XJ05



XJ05



XJ20



XJ20



XJ40



XJ40

XJ Series - Radial Piston Motor

XJ	Full Displacement		Max Speed rpm	Max Power hp	2 nd Displacement		Max Speed rpm	Max Power hp
	in ³	cc			in ³	cc		
XJ05	15.9	260.0	300	38.9	7.9	130.0	330	25.5
	22.8	373.0	250		11.4	186.5	310	
	25.9	424.0	230		12.9	212.0	280	
	28.8	472.0	210		14.4	236.0	260	
	31.7	519.0	200		15.8	259.5	240	
	34.5	565.0	180		17.2	282.5	220	
XJ20	101.7	1666.0	125	93.9	50.8	833.0	150	63.0
	115.0	1884.0	115		57.5	942.0	135	
	127.7	2092.0	100		63.8	1046.0	125	
	140.0	2301.0	90		70.2	1150.0	110	
	152.9	2505.0	85		76.4	1252.0	100	
XJ40	203.3	3332.0	100	147.5	101.7	1666.0	125	97.9
	229.9	3768.0	90		115.0	1884.0	115	
	255.3	4184.0	85		127.6	2092.0	110	
	280.8	4602.0	80		140.4	2301.0	100	
	305.7	5010.0	70		152.8	2504.0	85	
Note:	Maximum Pressure 5076 psi							



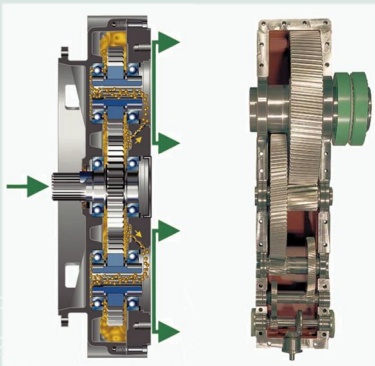
North American Hydraulics, (NAHI, LLC), partnering with Stiebel offering high quality and efficient pump drives.

Features and Benefits:

- Includes a Forced Feed Lubrication system with a ribbed housing eliminating the need for extra cooling in most applications
- All pump drives feature Viton seals with replaceable hardened running rings
- Includes a Nitrated steel gear profile preventing galling and premature shaft wear
- Designed to operate with high elastic engine couplings


Proven Solutions for:

- Construction and Mining
- Agriculture and Forestry
- Marine
- Utility Machines



Pump Drive Ratio listed as a decimal number
Ratio = Input Speed/Output Speed
Ratio < 1 = Speed Increase
Ratio > 1 = Speed Reduction

Please contact NAHI for additional information.
 The above information should be used as a guide and is subject to change without notice.
 Please contact NAHI for proper selection.

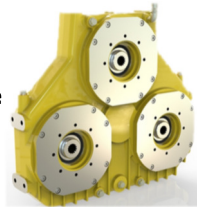


**Pump Drives
Solution Providers**

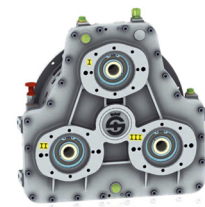


P2000 Pump Drives										
Size		XXS	XS	S	M	L	XL	XXL		
Centerline distance input/output (in)		4.43	5.1	5.79	6.61	7.99	9.25	15.07		
1 Pad	Type						4381			
	Engine HP						375			
	Torque lb-ft						1106			
	Max Speed RPM						3000			
2 Pad	Type	4504	4355	4363/4360	4370	4380	1390	4331		
	Engine HP	259	348	429	536	710	938	1206		
	Torque lb-ft	590	612	811	1106	1696	2434	3540		
	Max Speed RPM	4000	3800	3500	3500	3000	2800	2500		
3 Pad	Type				4362	4372	4382/4383	4392/4396	4332	4517
	Engine HP				430	536	710	938	1206	1206
	Torque lb-ft				811	1106	1696	2434	3540	3540
	Max Speed RPM				3500	3500	3000	2800	2500	2500
4 Pad	Type					4384/4399		4394	4325	4525
	Engine HP							482	1206	1005
	Torque lb-ft								3540	2780
	Max Speed RPM								2500	2500
Per Output	Engine HP	154	174	234	281	375	482	617	563	
	Torque lb-ft	251	302	442	590	922	1291	1807	1556	
	Ratios From – To	.50 - .94	.68 – 1.47	.65 – 1.55	.60 – 1.53	.66 – 1.52	.66 – 1.51	.67 – 1.49		
	SAE Pump Mount	A/B/C	A/B/C	A/B/C	B/C/D	B/C/D/E	Contact NAHI	Contact NAHI		
Per Input	SAE Engine Mount	3	3	2/3	1/2/3	1/2/3 and w/o Flange	SAE 0/1/2 and w/o Flange	SAE 0/1 and w/o Flange		
	Shaft DIN 5480	W40 x 2	W50 x 2	W50 x 2	W50 x 2	W50 x 2	W60 x 2	W70 x 2 & W60 x 2		

P2000 Pump Drive

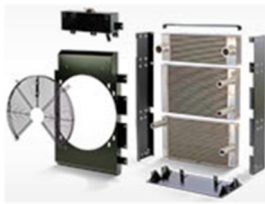


P3000 Pump Drive



P3000 Pump Drives									
Size		M	M	Size		M	M		
Centerline distance input/output (in)		6.61	6.61	Centerline distance input/output (in)		6.61	6.61		
2 Pad	Type	4371	4375	3 Pad	Type	4373	4374		
	Engine HP	536	536		Engine HP	536	536		
	Torque lb-ft	1107	1107		Torque lb-ft	1107	1107		
	Max Speed RPM	3500	3500		Max Speed RPM	3500	3500		
Per Output	Engine HP	280	280	Per Output	Engine HP	280	280		
	Torque lb-ft	590	590		Torque lb-ft	590	590		
	Ratios From – To	.655 - .959	.655 - .959		Ratios From – To	.655 - .959	.655 - .959		
	SAE Pump Mount	A/B/C/D	A/B/C/D		SAE Pump Mount	A/B/C	A/B/C		
Per Input	SAE Engine Mount	1/2/3	1/2/3	Per Input	SAE Engine Mount	2/3	2/3		
	Shaft DIN 5480	W50 x 2	W50 x 2		Shaft DIN 5480	W50 x 2	W50 x 2		






Heat Exchangers Solution Providers

North American Hydraulics, (NAHI, LLC), partnering with Thermal Transfer Products offering the design and manufacturing of highly engineered heat transfer products.

Features and Options:

- **Mobile Cooling Solutions** — Offer oil cooler, radiators, and charge air cooler with or without electric DC fans and Hydraulic fan motor drives. Built from brazed aluminum or copper round tube and fin, and are available in standard or custom designed OE modules.
- **Industrial Cooling Solutions** — Offer air cooled oil coolers built with or without electric AC motors, water cooled shell and tube coolers designed for multiple fluid types and built from aluminum, copper and steel for fluid power related applications.

Proven Solutions for:


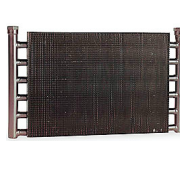
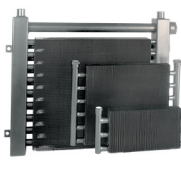





- Agriculture / Forestry
- Construction / Material Handling
- Mining / Specialty
- Off-Highway / On-Highway
- Oil & Gas / Wind Energy
- Hydraulic Presses & Power Units

Please contact NAHI for additional information.

The above information should be used as a guide and is subject to change without notice.

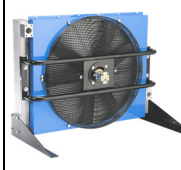






Please contact NAHI for proper selection.

Mobile Cooling

MA	DH	M	DF
			
MF	AOC	AOVHM	Turnkey Module
			

New Technology — Axial Fans with Brushless DC Electric Motors offering benefits for extended life including low current draw on start-up, custom fan speed control and lower ambient noise.

Industrial Cooling

BOL	AOL	COL	EK	COLW
				
CA	OCA	BP	PF	PVR
				

New Technology
Cool Loop COLW Series — Water cooled offline fluid conditioning system. Utilizes a high efficiency EK series shell & tube heat exchanger.
Bypass Valves — Factory installed integrated relief valve and a temperature controlled bypass valve with integrated pressure relief.
BP Series — Rugged, compact, cost-effective and reliable over long period of time with minimal maintenance.
PF Series — Compact, serviceable design and flexible cost saving alternative.
HC Series — Shell and tube heat exchangers with the “Hybrid” design based on interchangeability between previous TTP C-Series and Basco Type 500 units.





Solution Providers

NORTH AMERICAN HYDRAULICS



American English > SI		SI > American English	
LENGTH		LENGTH	
Millimeter (mm)	= inch x 25.4	Inches (In)	= mm x 0.03937
VOLUME		VOLUME	
Liter (l)	= in ³ x 0.016	Cubic Inches (in ³)	= liter x 61
Liter (l)	= gal x 3.79	Gallon (gal)	= liter x 0.26
DISPLACEMENT		DISPLACEMENT	
cubic centimeters (ccm)	= in ³ x 16.387	Cubic Inches (in ³)	= ccm x 0.06102
FLOW		FLOW	
Liters per minute (lpm)	= gpm x 3.7848	Gallons per minute	= lpm x 0.2642
Cubic centimeters per minute	= gpm x 3784.8	Gallons per minute	= cm ³ /min x 0.00026
WEIGHT		WEIGHT	
Kilogram (kg)	= pound x 0.4536	Pounds (lb)	= Kg x 2.2046
Newtons (N)	= pound x 4.4482	Pounds (lb)	= Newton x 0.2248
TORQUE		TORQUE	
Kilogram meter	= foot pound x 0.13826	Foot pound (lb-ft)	= Kgm x 7.233
Newton Meter (Nm)	= foot pound x 1.3558	Foot pound (lb-ft)	= Nm x .73756
PRESSURE		PRESSURE	
Bar	= psi x 0.06895	Psi	= bar x 14.5038
POWER		POWER	
Kilowatt (kW)	= hp x 0.746	Horsepower	= kW x 1.351
TEMPERATURE		TEMPERATURE	
Celsius	= (F - 32) / 1.8	Fahrenheit	= (C x 1.8) + 32

225-751-0500 • www.nahi.com