

North American Hydraulics, (NAHI, LLC), partnering with Dinamic Oil offering modular planetary gearboxes for both mobile and industrial applications.

### Features and Benefits:

- Modular Construction
- Static, Pressure to Release Brakes
- Reinforced Output Supports, Eccentric Mounting and Integral Pinions for Slewing Applications
- Various Output Accessories, Foot Mounts and Torque Arms

### Proven Solutions for:

- Agricultural
- Forestry
- Construction
- Marine
- Mining
- Transportation
- Power Generation

### Model RE and RA Planetary Reducers

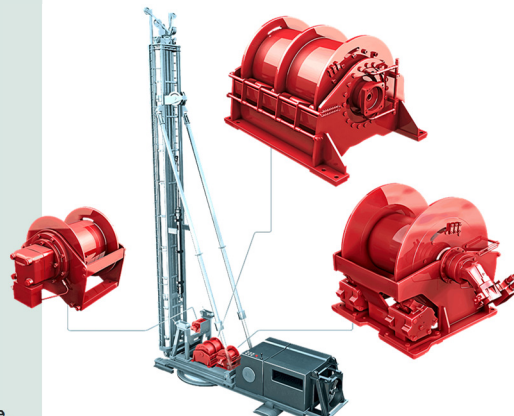
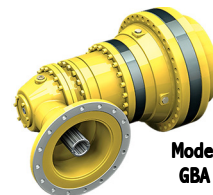
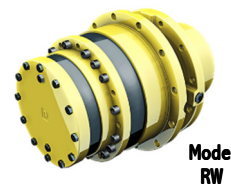
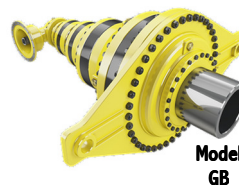
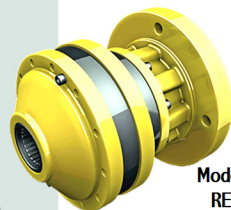
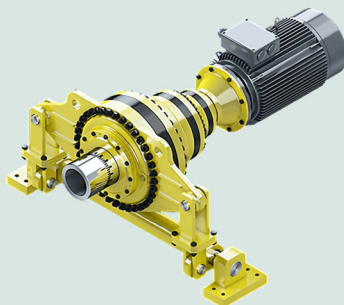
Model RE	Ratio	Model RA	Ratio	Max Rating RE & RA (lb-ft)
110	3.5 to 2,153	110	11.1 to 1,194	1,313
210	3.5 to 2,153	210	11.1 to 1,194	2,655
240	3.8 to 1,658	240	12.2 to 900	2,950
310	3.6 to 1,990	310	10.0 to 1,244	4,152
510	3.6 to 1,990	510	10.0 to 1,244	8,556
610	4.0 to 1,416	610	11.1 to 629	10,990
810	3.6 to 2,264	810	10.4 to 1,184	13,719
1020	3.6 to 2,264	1020	10.4 to 1,184	20,062
1520	4.1 to 2,041	1520	12.6 to 1,076	28,765
2000	3.8 to 1,451	2000	11.8 to 907	32,526
2520	4.0 to 1,925	2520	12.3 to 1,091	36,952
3000	4.0 to 1,742	3000	12.3 to 968	58,120
3510	3.8 to 2,392	3510	12.5 to 1,118	71,175
4800	3.8 to 1,741	4800	12.5 to 967	81,869
6000	4.1 to 1,435	6000	13.5 to 1,009	99,571
8000	4.0 to 3,164	8000	13.0 to 800	146,037

### Model GB and GBA Planetary Reducers

Model GB	Ratio	Model GBA	Ratio	Max Rating GB & GBA (lb-ft)
12010	4.1 to 3,544	12010	48.6 to 3,161	207,255
16000	3.8 to 3,172	16000	47.8 to 3,544	263,310
21000	3.7 to 3,129	21000	49.6 to 3,065	299,450
26000	3.7 to 3,532	26000	55.8 to 2,527	398,284
31000	3.4 to 3,559	31000	172.3 to 5,011	479,415
40000	3.4 to 3,559	40000	172.3 to 5,011	479,415
45000	3.8 to 3,554	45000	210.5 to 2,211	479,415
53000	3.8 to 3,103	53000	248.0 to 4,278	878,437
61000	3.8 to 2,943	61000	190.3 to 11,772	834,183
85000	3.8 to 2,448	85000	214.3 to 11,429	834,183
110000	4.3 to 3,553	110000	744.4 to 21,647	1,659,515
130000	4.3 to 2,350	130000	909.3 to 10,967	2,006,169
150000	4.1 to 2,344			2,006,169
205000	4.1 to 3,259			2,669,975
235000	4.1 to 2,902			2,669,975

### Model RW Winch Drive

Model RW	Ratio	Max Rating (lb-ft)
512	13.8 to 43.6	5,443
513	42.6 to 189.3	5,753
612	13.4 to 33.1	7,228
613	49.1 to 210.9	7,486
812	14.1 to 42.7	8,666
813	43.6 to 207.3	9,146
1022	14.1 to 42.7	12,244
1023	43.6 to 226.7	13,320
1532	17.9 to 45.7	16,706
2522	17.5 to 41.8	23,993



Please contact NAHI for additional information.

Torque values will vary by ratio.

The above information should be used as a guide and is subject to change without notice.

Please contact NAHI for proper selection.

